

CC-95/CC-260

The CC-95 and CC-260 intercom headsets can be used with Matrix stations and Party Line stations and beltpacks. They require minimum care and are designed to provide years of trouble-free use. The following steps will help ensure long-lasting, proper operation.

1. Switch the station's microphone or talk switch off and turn down the listen level before plugging in the headset.

Note: This is a good practice before plugging or unplugging any headset to a beltpack or station.

2. Adjust the boom, but do not force it past the 11 and 1 o'clock stop points.
3. Place the ear socks over the earpads for a more comfortable fit, especially during extended periods of use.
4. If necessary, adjust the station or beltpack sidetone and/or listen level.
5. After putting on the headset, position the microphone using the flexible section of the boom. For best results, the microphone should be no more than three-fingers width away from your mouth.

Note: The use of headset extension cables is not recommended with Party Line products because of crosstalk and sidetone considerations.

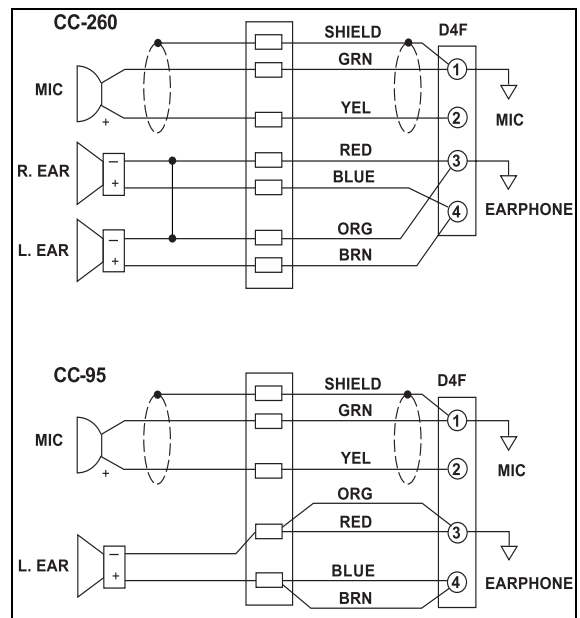


FIGURE 1: Wiring Diagram

Specifications

Headphones

Transducer type	Dynamic moving coil
Nominal impedance	420 ohm single muff; 210 ohm, double muff
Frequency response	70 to 18 kHz
Maximum continuous SPL	CC-95: 127 dB at 1 kHz at 250mW; CC-260: 125 dB at 1 kHz at 250mW
External noise isolation	> 20 dB avg. at 300 to 5000 Hz
Sensitivity	Sound-pressure level at 1mW — CC-95: 101 dB at 1 kHz CC-260: 103 dB at 1 kHz

Microphone

Transducer type	Dynamic moving coil
Polar pattern	Cardioid; noise rejecting
Windscreen	External pop filter
Nominal impedance	200 ohm balanced
Frequency response	70 to 18 kHz
Front-to-back ratios	> 15 dB

General

Headset material	ABS, Duracon®, and alloy
Finish	Grey and black matte non-reflective
Electrical isolation	Earphone to microphone < -116 dB at 1 kHz
Headset cable	Specially shielded and isolated straight cord
Length	5 ft. 6 in. (1.75 meter)
Termination	4-pin XLR female
Termination options	4-pin XLR male (monaural), 5- or 6-pin male or female (binaural), or special connectors upon request
Boom rotation	300°
Weight (without cord)	Single muff, 10 oz. (283g); double muff, 14.1 oz. (399g)
Furnished accessories	One pair ES-1 washable ear socks (double muff); 1 ES-1 ear sock (single muff)

Clear-Com Limited Warranty

This Clear-Com product is warranted to be free from defects in materials and workmanship for a period of one year from the date of sale. The Clear-Com warranty does not cover any defect, malfunction, or failure caused beyond the control of Clear-Com, including unreasonable or negligent operation, abuse, accident, failure to follow instructions in the manual, defective or improper associated equipment, attempts at modification and repair not authorized by Clear-Com, and shipping damage. Products with their serial numbers removed or defaced are not covered by this warranty.

This warranty is the sole and exclusive express warranty given with respect to Clear-Com products. It is the responsibility of the user to determine before purchase that this product is suitable for the user's intended purpose.

Any and all implied warranties, including the implied warranty of merchantability are limited to the duration of this express limited warranty. Neither Clear-Com nor the dealer who sells Clear-Com products is liable for incidental or consequential damages of any kind.

Factory Service

Do not return any equipment to the factory without first obtaining a Return Authorization Number.

All equipment returned for repair must be accompanied by documentation stating the return address, telephone number, date of purchase, and a description of the problem.

Send equipment to be repaired to: **Customer Service Department, Clear-Com Intercom Systems, 4065 Hollis Street, Emeryville, CA 94608-3505, Telephone: (510) 496-6666, Fax: (510) 496-6610; Web site: www.clearcom.com.**

Warranty Repairs

If in warranty, no charge will be made for the repairs. Equipment being returned for warranty repair must be sent prepaid and will be returned prepaid.

Non-Warranty Repair

Equipment that is not under warranty must be sent prepaid to Clear-Com. If requested, an estimate of repair costs will be issued prior to service. Once repair is approved and repair of equipment is completed, the equipment will be shipped freight collect from the factory.

Note: All specifications subject to change without notice.

PN 810261