

CC-250/6 Stereo Wiring

The supplier has wired incoming CC-250s two different ways.

If the A4F XLR is wired

Pin 1 shield
Pin 2 Yellow & Green
Pin 3 Orange & Red
Pin 4 Blue & Brown

Blue

Red

Then wire the A6F this way

Pin 1 (-) Shield
Pin 2 (+) Yellow & Green
Pin 3 (-) Orange
Pin 4 (+) Brown
Pin 5 (+)
Pin 6 (-)

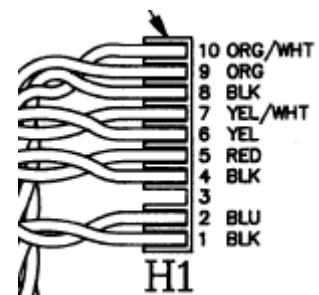
But if the A4F XLR is wired

Pin 1 (-) Shield & Green
Pin 2 (+) Yellow
Pin 3 (-) Orange & Red
Pin 4 (+) Blue & Brown

Wire the A6F This way

Pin 1 (-) Shield & Green
Pin 2 (+) Yellow
Pin 3 (-) Orange
Pin 4 (+) Brown
Pin 5 (+) blue
Pin 6 (-) Red

Beltpack Circuit



- Pin 1 Mic Lo** ⚡
- Pin 2 Mic Hi**
- Pin 3 CMic Hi (no conn.)**
- Pin 4 Common Gnd** ⚡
- Pin 5 30 Volt in**
- Pin 6 Channel "A" intercom Line**
- Pin 7 Channel "B" intercom Line**
- Pin 8 Headphone Common**
- Pin 9 Channel "A" Headphone Hi**
- Pin 10 Channel "B" Headphone Hi**

FIGURE 2: HEADSET CONNECTOR (K) WIRING

PIN#	RS-501	RS-502	RS-522
Pin#1	Mic (L)	Mic (L)	Mic (L)
Pin#2	Mic (H)	Mic (H)	Mic (H)
Pin#3	Hdphone (L)	Hdphone (L)	Hdphone Com
Pin#4	Hdphone (H)	Hdphone (H)	CH. B Hdphone (H)
Pin#5			CH. A Hdphone (H)
Pin#6			Hdphone Com

Headset Connector "L": If the carbon-mic option is installed, there is a 1/4 in. (6.3 mm) phone jack (tip/ring/sleeve) mounted to the right of the 4-pin connector. Otherwise, there is a plastic "knock-out" in that location.


The carbon-mic jack is for most types of headsets that use carbon microphones or that are "carbon-compatible."

OPTIONAL HEADSET CONNECTOR (L) WIRING

- Tip: mic input
- Ring: earphone output
- Sleeve: common

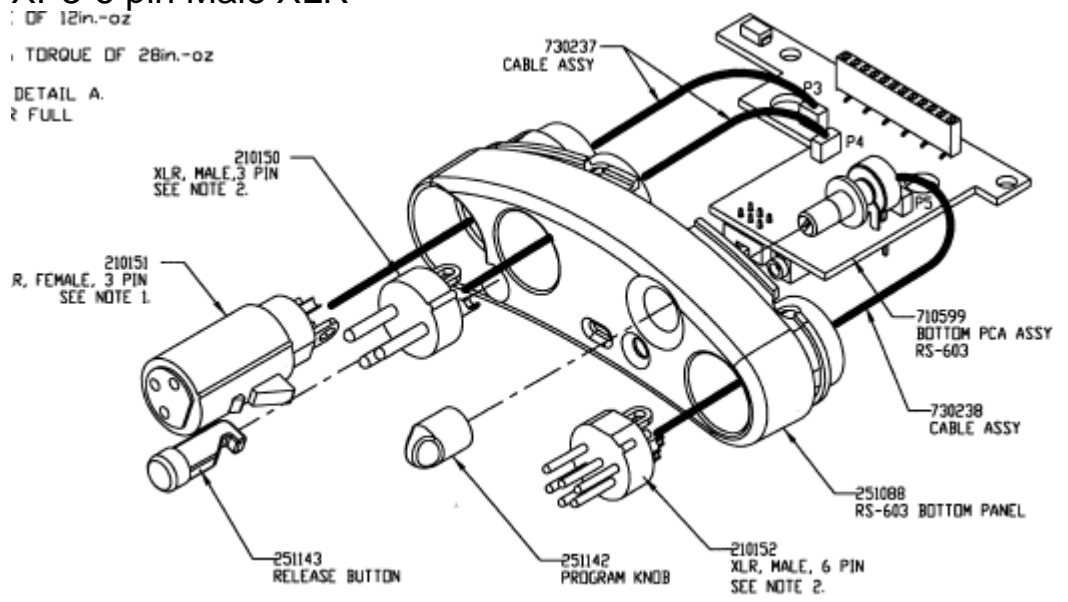
RS-623 Bottom Bezel

CONNECTOR CABLE WIRING			
PIN # SEE DETAIL A	LEAD COLOR	PCB #710599 CONNECTOR	CONN. PT. #
XJ7, PIN 1	BLK	P3, PIN 1	730237
XJ7, PIN 2	RED	P3, PIN 2	
XJ7, PIN 3	YEL	P3, PIN 3	
XP8, PIN 1	BLK	P4, PIN 1	730237
XP8, PIN 2	RED	P4, PIN 2	
XP8, PIN 3	YEL	P4, PIN 3	
XP3, PIN 1	BLK	P5, PIN 1	730238
XP3, PIN 2	RED	P5, PIN 2	
XP3, PIN 3	YEL	P5, PIN 3	
XP3, PIN 4	WHT	P5, PIN 4	
XP3, PIN 5	GRN	P5, PIN 5	
XP3, PIN 6	BLU	P5, PIN 6	

F. KULIGOWSKI	DATE: 23-Dec-03	 Clear-Com Communication systems
P.T.	DATE: 05.05.05	
	DATE: 55.05	
PN- 740094AC.DWG 1/25 - 1/1 PT ARCHIVE		TITLE: BOTTOM PANEL ASSY, RS-623

XJ7-3 pin Female XLR
 XP8- 3 pin Male XLR
 XP3-6 pin Male XLR

DF 12in.-oz
 TORQUE DF 28in.-oz
 DETAIL A
 2 FULL



E OF 12n-02

A TORQUE OF 28n-02

I DETAIL A
IR FULL

