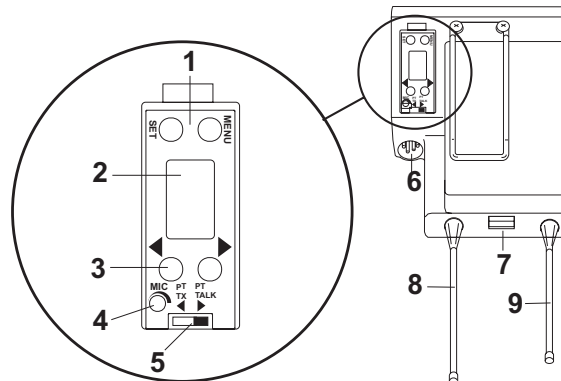


# WTR-670 Quick Start Card

## Initial Beltpack and Base Station Set-up

1. Press [MENU] as powering-up the base station. This will place it on group 01A and set the receives on channels: 01, 02, 03 and 04. Ensure the appropriate portable station connect path is enabled. If used stand alone, the base should be in the 4-wire mode.
2. Set beltpack back panel slide switch to push-to-talk (PT TALK).
3. Press [MENU] as powering-up the beltpack. This will place the beltpack on group 01A with channel 01 flashing.
4. Use the [UP] and [DOWN] arrow buttons to change the channel to an unoccupied receive channel on the base station. Then press [SET]. Press [MENU] if not changing channels.
5. The group/channel on the beltpack should now match the group and a receive channel on the base station. Nothing should be flashing on the beltpack screen.
6. Plug a headset into the beltpack and set the microphone gain so the BAT/OM light flashes at the beginning of most words at normal speech levels.



## Special Functions

- ClearScan** . . . . . Press [MENU]+[SET] buttons for 3 seconds. After 25 seconds of searching, the beltpack will produce a list of the groups organized from best (clearest) to worse. The best group is displayed flashing. Use the [UP] and [DOWN] buttons to select other groups if desired.
- Lockout** . . . . . Press [UP]+[DOWN] arrows buttons for 3 seconds. Repeat to toggle it off/on.
- 1<sup>st</sup> Use Default** . . . . . Press [MENU] as powering-up the beltpack. Sets beltpack on group 01A with channel 01 flashing. User must then set the channel. All user-programmed memory is retained.
- Factory Default** . . . . . Press [MENU]+[SET]+[UP]+[DOWN] buttons for 3 seconds to software “reset” the beltpack. All user-programmed memory is erased.

## Talk Latch Enable/Disable

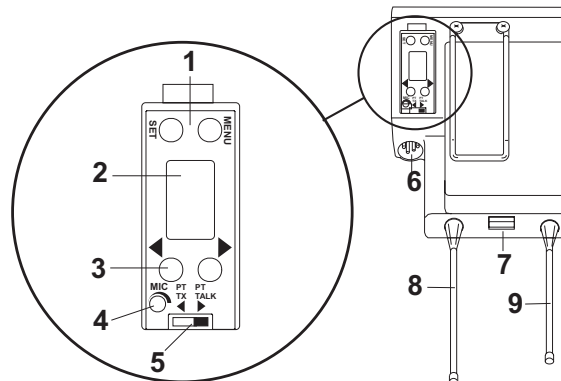
- Talk Button** . . . . . Press and hold [SET] then press [TALK] to enable latching or non-latching.

1. **[MENU] and [SET] buttons** – Used to select menus and set options on the LCD.
2. **LCD display.**
3. **[UP] and [DOWN] buttons** – Used to select beltpack options on the LCD.
4. **Microphone Gain** – Adjusts the headset’s microphone gain. Adjust so that the light flashes at the beginning of most words at normal speech levels.
5. **Push-to-Talk/ Push-to-Transmit Switch** –
  - Push-to-Talk (PT TALK)** – The transmitter is always on. No audio sent unless the talk button is pressed. Recommended position.
  - Push-to-Transmit (PT TX)** - The transmitter and audio path are off except when the talk button is pressed.
6. **Headset Connector** – Male XLR connector for Telex units, Female XLR connector for RTS units.
7. **Battery Latch** – Press down to enable the battery pack to be released. While the latch is held down, slide the battery pack about 1/8 inch back, toward the latch, until it stops, then lift out.
8. **Receive Antenna** – Screw type ¼ wave replaceable antenna. The receiver antenna is always the longer antenna. Color dot on the screw end of the antenna must match color dot on antenna receptacle.
9. **Transmit Antenna** – Screw type ¼ wave replaceable antenna. Color dot on the screw end of the antenna must match color dot on antenna receptacle.

# WTR-670 Quick Start Card

## Initial Beltpack and Base Station Set-up

1. Press [MENU] as powering-up the base station. This will place it on group 01A and set the receives on channels: 01, 02, 03 and 04. Ensure the appropriate portable station connect path is enabled. If used stand alone, the base should be in the 4-wire mode.
2. Set beltpack back panel slide switch to push-to-talk (PT TALK).
3. Press [MENU] as powering-up the beltpack. This will place the beltpack on group 01A with channel 01 flashing.
4. Use the [UP] and [DOWN] arrow buttons to change the channel to an unoccupied receive channel on the base station. Then press [SET]. Press [MENU] if not changing channels.
5. The group/channel on the beltpack should now match the group and a receive channel on the base station. Nothing should be flashing on the beltpack screen.
6. Plug a headset into the beltpack and set the microphone gain so the BAT/OM light flashes at the beginning of most words at normal speech levels.



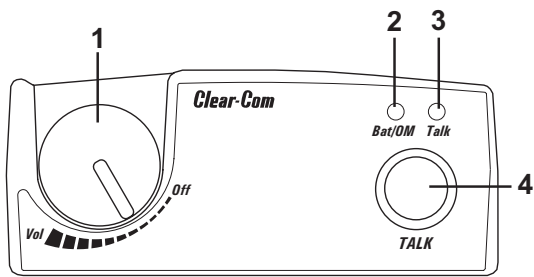
## Special Functions

- ClearScan** . . . . . Press [MENU]+[SET] buttons for 3 seconds. After 25 seconds of searching, the beltpack will produce a list of the groups organized from best (clearest) to worse. The best group is displayed flashing. Use the [UP] and [DOWN] buttons to select other groups if desired.
- Lockout** . . . . . Press [UP]+[DOWN] arrows buttons for 3 seconds. Repeat to toggle it off/on.
- 1<sup>st</sup> Use Default** . . . . . Press [MENU] as powering-up the beltpack. Sets beltpack on group 01A with channel 01 flashing. User must then set the channel. All user-programmed memory is retained.
- Factory Default** . . . . . Press [MENU]+[SET]+[UP]+[DOWN] buttons for 3 seconds to software “reset” the beltpack. All user-programmed memory is erased.

## Talk Latch Enable/Disable

- Talk Button** . . . . . Press and hold [SET] then press [TALK] to enable latching or non-latching.

1. **[MENU] and [SET] buttons** – Used to select menus and set options on the LCD.
2. **LCD display.**
3. **[UP] and [DOWN] buttons** – Used to select beltpack options on the LCD.
4. **Microphone Gain** – Adjusts the headset’s microphone gain. Adjust so that the light flashes at the beginning of most words at normal speech levels.
5. **Push-to-Talk/ Push-to-Transmit Switch** –
  - Push-to-Talk (PT TALK)** – The transmitter is always on. No audio sent unless the talk button is pressed. Recommended position.
  - Push-to-Transmit (PT TX)** - The transmitter and audio path are off except when the talk button is pressed.
6. **Headset Connector** – Male XLR connector for Telex units, Female XLR connector for RTS units.
7. **Battery Latch** – Press down to enable the battery pack to be released. While the latch is held down, slide the battery pack about 1/8 inch back, toward the latch, until it stops, then lift out.
8. **Receive Antenna** – Screw type ¼ wave replaceable antenna. The receiver antenna is always the longer antenna. Color dot on the screw end of the antenna must match color dot on antenna receptacle.
9. **Transmit Antenna** – Screw type ¼ wave replaceable antenna. Color dot on the screw end of the antenna must match color dot on antenna receptacle.

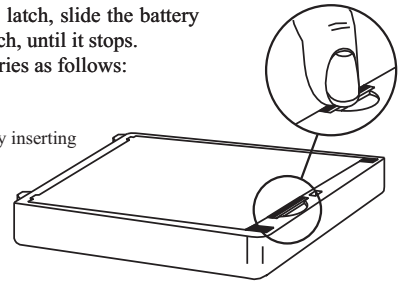


- 1. On/Off & Volume Control** - Turns the beltpack power on and controls headset volume.
- 2. Bat/Overmod Light** - LED will flash once when unit is turned on if the battery is good. If the light stays on, battery is low. If the light does not flash, battery is dead. A normal mic gain setting will cause the LED to flash at the beginning of most words at normal speech levels. If the gain is too large, the LED will be red during the complete word at normal speech levels.
- 3. Talk Light** - LED is on when the talk button is active.
- 4. Talk button** - Press to enable the audio path from the headset. "TALK" LED, #3, will turn red when enabled. A quick press and release latches button on, unless latching has been disabled in software. Holding the button for over 1/2 a second will cause the audio path to be enabled only for as long as the button is held.

## Battery Installation

Ensure that the On/Off volume control knob is turned off. Press and hold down the battery release latch, slide the battery pack about 1/8 inch back, toward the latch, until it stops. Then lift battery pack out. Replace batteries as follows:

1. Open the battery pack by inserting finger nail and lifting.



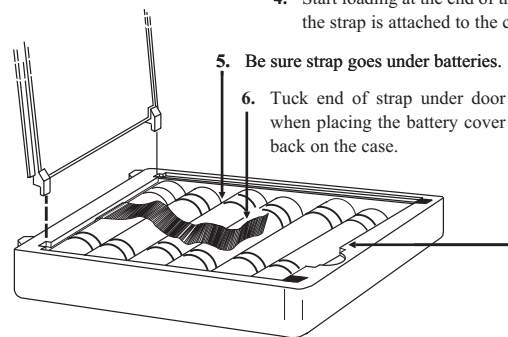
2. Pull battery strap to remove low or dead batteries.



3. Load new batteries following the polarity as shown in battery case



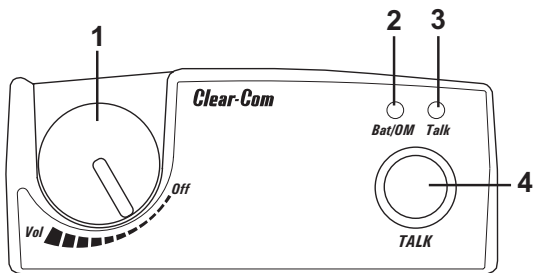
4. Start loading at the end of the case where the strap is attached to the case.



5. Be sure strap goes under batteries.
6. Tuck end of strap under door when placing the battery cover back on the case.

**WARNING**  
Do not place an alkaline WTR battery pack in any battery charger. Severe charger and battery pack damage may result.

803540  
April 2002

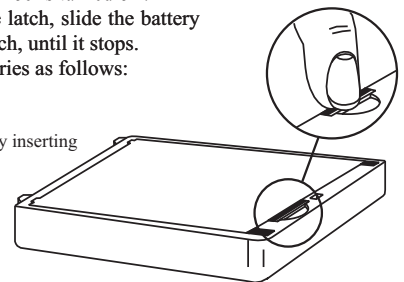


- 1. On/Off & Volume Control** - Turns the beltpack power on and controls headset volume.
- 2. Bat/Overmod Light** - LED will flash once when unit is turned on if the battery is good. If the light stays on, battery is low. If the light does not flash, battery is dead. A normal mic gain setting will cause the LED to flash at the beginning of most words at normal speech levels. If the gain is too large, the LED will be red during the complete word at normal speech levels.
- 3. Talk Light** - LED is on when the talk button is active.
- 4. Talk button** - Press to enable the audio path from the headset. "TALK" LED, #3, will turn red when enabled. A quick press and release latches button on, unless latching has been disabled in software. Holding the button for over 1/2 a second will cause the audio path to be enabled only for as long as the button is held.

## Battery Installation

Ensure that the On/Off volume control knob is turned off. Press and hold down the battery release latch, slide the battery pack about 1/8 inch back, toward the latch, until it stops. Then lift battery pack out. Replace batteries as follows:

1. Open the battery pack by inserting finger nail and lifting.



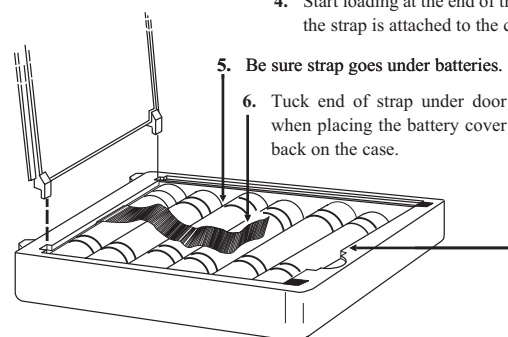
2. Pull battery strap to remove low or dead batteries.



3. Load new batteries following the polarity as shown in battery case



4. Start loading at the end of the case where the strap is attached to the case.



5. Be sure strap goes under batteries.
6. Tuck end of strap under door when placing the battery cover back on the case.

**WARNING**  
Do not place an alkaline WTR battery pack in any battery charger. Severe charger and battery pack damage may result.

803540  
April 2002