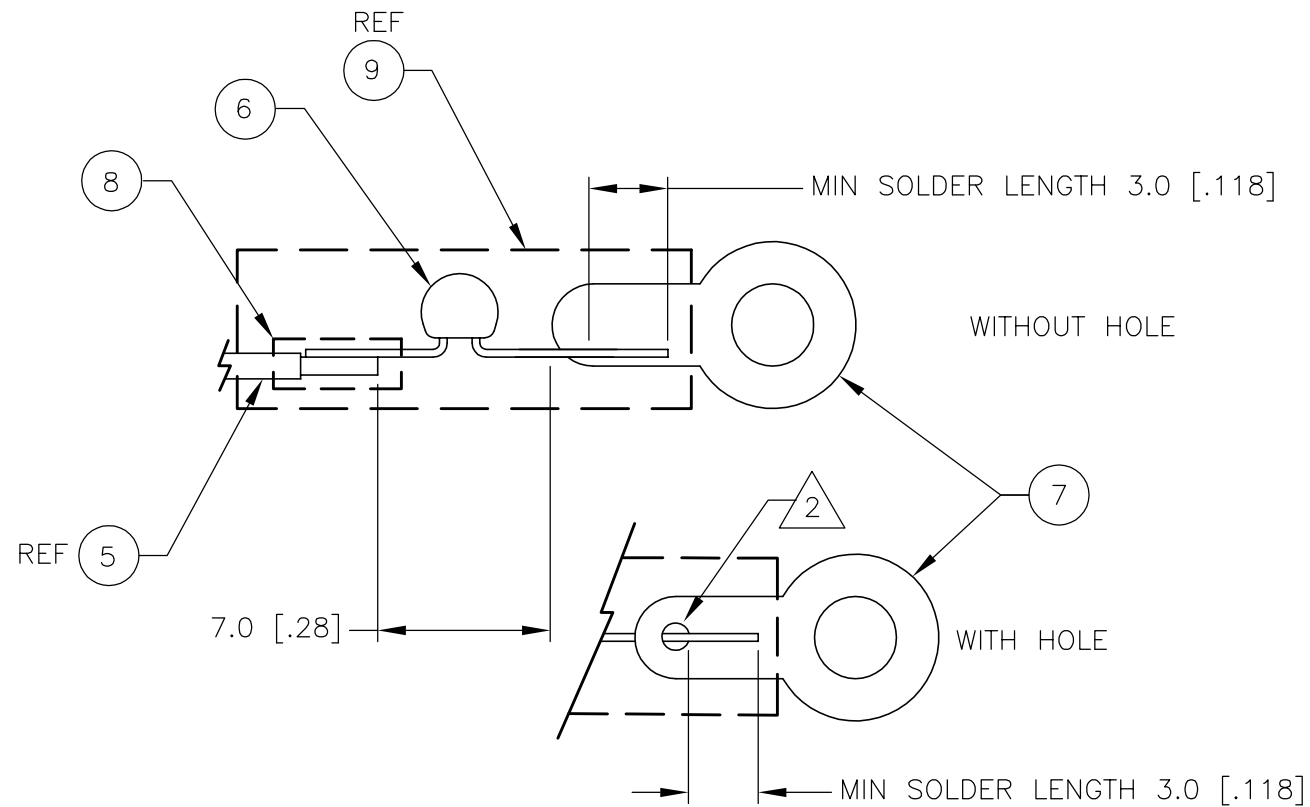


NOTES: UNLESS OTHERWISE SPECIFIED

1. SOLDER USING LEAD FREE SOLDER ALLOY Sn95.5Ag3.8Cu0.7
2. CAPACITOR LEG (ITEM 6) TO BE PLACED THROUGH TERMINAL LUG HOLE IF PRESENT (ITEM 7) PRIOR TO SOLDERING.
3. DETAILED VIEW SHOWING HEATSHRINK (ITEMS 8 AND 9) APPLIED. ENSURE LEGS OF CAPACITOR (ITEM 6) AND BARE WIRE (ITEM 5) ARE COVERED.
4. INSTALL PER MANUFACTURER'S INSTRUCTIONS
5. CERTIFICATE OF COMPLIANCE, WHICH INCLUDES RoHS COMPLIANCE, SHALL BE SENT WITH EACH SHIPMENT. ALL REQUIRED INFORMATION TO COMPLY WITH CLEAR-COM'S CONTROLLED MATERIALS DISCLOSURE REQUIREMENTS (HME FORM 671826, APPENDIX A) SHALL BE PROVIDED FOR PART QUALIFICATION.

PACKAGING:

PART TO BE INDIVIDUALLY PACKAGED IN A MANNER THAT WILL PREVENT DAMAGE, THEN BULK PACKED. IDENTIFY BULK PACKAGE WITH CLEAR-COM'S PART NUMBER, REVISION AND QUANTITY.



3 **DETAIL B**
SCALE: NONE

SYMBOL: INDICATES CURRENT CO CHANGES

REVISIONS					
REV	DESCRIPTIONS	DRWN	CHKD	APPD	DATE
A	INITIAL RELEASE				

1	DC INDUSTRIES	804G018	LOCK WASHER 18-8	18-8 SST	14
1	HEYCO	3068	PLUG, .734 HD PRY OUT	6/6 NYLON BLK	13
A/R	KSS	Ø3.5mm X 10MM-PB	SHRINK TBNG, BLK 125° UL CSA	POLYOLEFIN	12
A/R	KSS HELLERMANN TYTON	Ø2.0mm X 10MM-PB PTH15X10GY	SHRINK TBNG, BLK 125° UL CSA TBNG, RBR 1.5mm ID X 10mm	POLYOLEFIN SLV / GRY	11
A/R	HELLERMANN TYTON KSS	PTH15X10GY Ø2.5mm X 10MM-PB	TBNG, RBR 1.5mm ID X 10mm SHRINK TBNG, BLK 125° UL CSA	SLV / GRY POLYOLEFIN	10
A/R	HELLERMANN TYTON TE CONNECTIVITY PRO POWER KSS	319-00600 ATUM-6/2-0-STK HS513-1.22M Ø5.0mm X 17mm	SHRINK TBNG, 6mm IN ID 3:1 BLK SHRINK TBNG, 6mm IN ID 3:1 BLK SHRINK TBNG, 6mm IN ID 3:1 BLK SHRINK TBNG, BLK 125° UL CSA	POLYOLEFIN	9
A/R	HELLERMANN TYTON TE CONNECTIVITY KSS	319-00300 ATUM-3/1-0-STR Ø3.0mm X 10MM-PB	SHRINK TBNG, 3mm IN DIA 3:1 BLK SHRINK TBNG, 3mm IN DIA 3:1 BLK SHRINK TBNG, BLK 125° UL CSA	POLYOLEFIN	8
1	KEYSTONE KST	7325 ST-3.5LT-PB	SOLDER TERMINAL LUG	BRASS, MATTE TIN PLATE	7
1	VISHAY AVX AVX SYNTON TECH	K103K15X7RH53L2 SR151C103KARTR SR151C103KAR MLCX7R103K50V5X7	CAP, 0.01UF 10% 100V 0.1"	MULTI CER DIPPED	6
A/R	REI HSING	UL1007 24AWG STR GREEN	WIRE, STRND GRN 24 AWG 7X0.16	PVC INSULATION	5
3	TE CONNECTIVITY XIANG ZH	182734-2 2492-TPS-T-PB	TERM, CRMP 28-24 AWG	TIN VERSION	4
A/R	BELDEN JAY AN	9501 060100 770073Z-1-PB	CBL, 2 COND SCREEN 26-24 AWG	RED-BLK/SHIELD	3
1	TE CONNECTIVITY CHS	281838-3 CH2543-03-A	CONN, 3P 0.1" CRMP HSNG	GLASS FILLED PBT	2
1	AMPHENOL-TUCHEL	T 3263 000	CONN, 3P DIN SCKT CHSIS MT	SILVER PLATE TERM	1
QTY REQ'D	MANUFACTURER	PART OR IDENTIFYING NO.	NOMENCLATURE OR DESCRIPTION	MATERIAL/SPECIFICATION	ITEM NO.

4

UNLESS OTHERWISE SPECIFIED DIMENSIONS ARE IN mm WITH INCHES REFERENCED. FORMAT: mm/(INCHES)		DRAWN L. WHEELER	MM/DD/YY 06/27/17		Clear-Com, LLC Alameda, CA 94501
TOLERANCES DECIMALS ANGULAR X = ±1 ±0° 30' X.X = ±0.5		CHECK			
DO NOT SCALE DRAWING COMPUTER GENERATED DRAWING		DESIGNER		TITLE CABLE ASSEMBLY DIN MICROPHONE	
THIS DRAWING, THE INFORMATION, AND THE KNOW-HOW CONTAINED THEREIN IS PROPRIETARY TO CLEAR- COM, LLC AND MAY NOT BE USED, REPRODUCED, OR DISCLOSED TO OTHERS WITHOUT THE PRIOR WRITTEN PERMISSION OF CLEAR-COM, LLC.		PROJ ENG			
VARIOUS	NPR-06	MANAGER		SIZE	DWG NO.
NEXT ASSY	USED ON	MFG ENG		B	115G536
APPLICATION				SCALE	FILE NO.
				NONE	115G536
				SHEET	1 OF 2

D

D

C

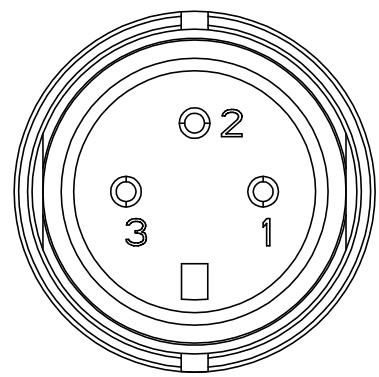
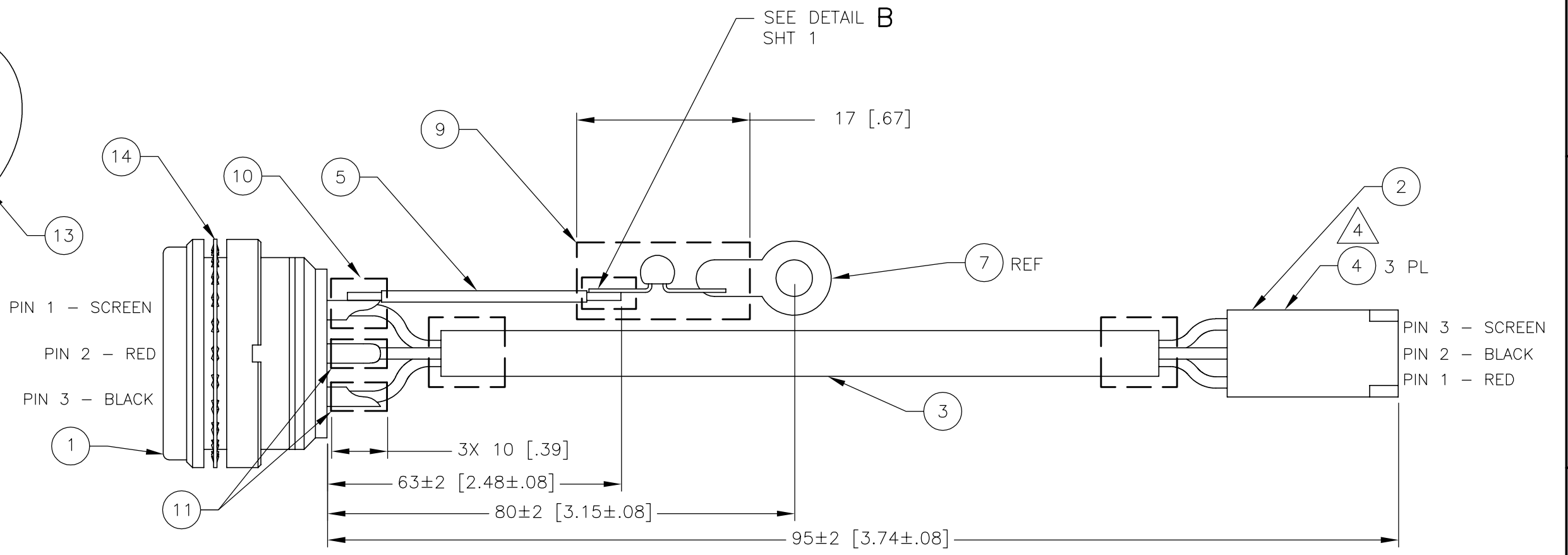
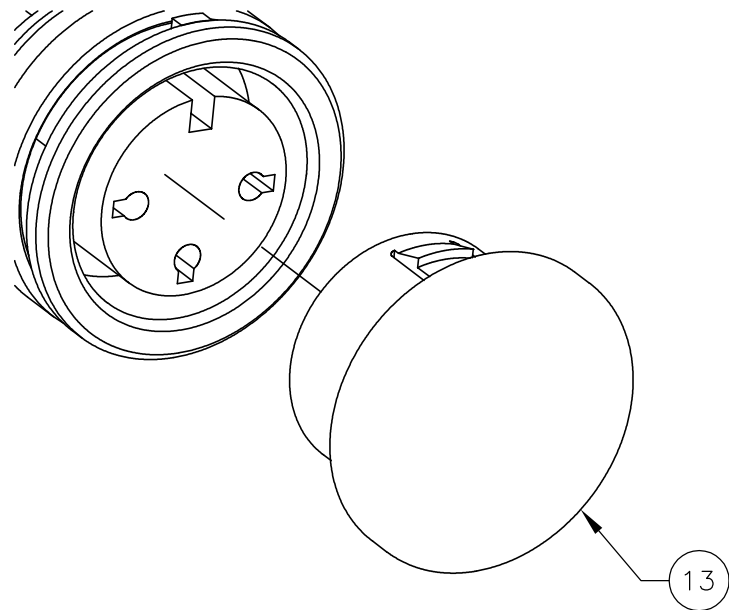
C

B

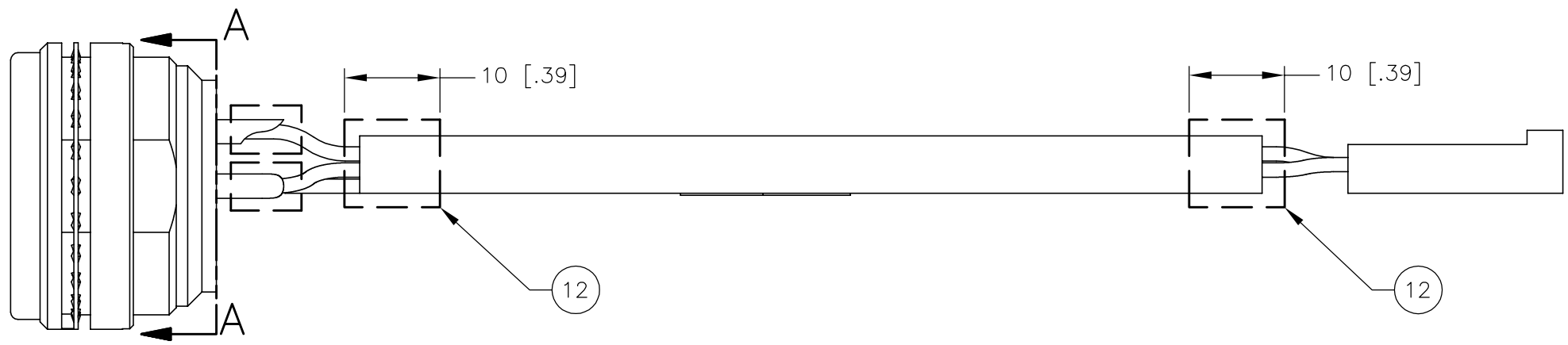
B

A

A



VIEW A-A
REAR OF DIN CONNECTOR



SYMBOL: INDICATES CURRENT CO CHANGES

THIS DRAWING, THE INFORMATION, AND THE KNOW-HOW CONTAINED THEREIN IS PROPRIETARY TO CLEAR-COM, LLC. AND MAY NOT BE USED, REPRODUCED, OR DISCLOSED TO OTHERS WITHOUT THE PRIOR WRITTEN PERMISSION OF CLEAR-COM, LLC.		SIZE	DWG NO.	REV
B	115G536	A		
SCALE	FILE NO.	SHEET		
NONE	115G536	2 OF 2		