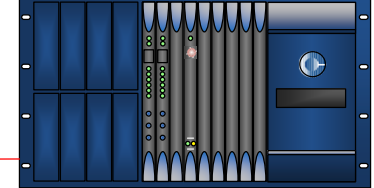
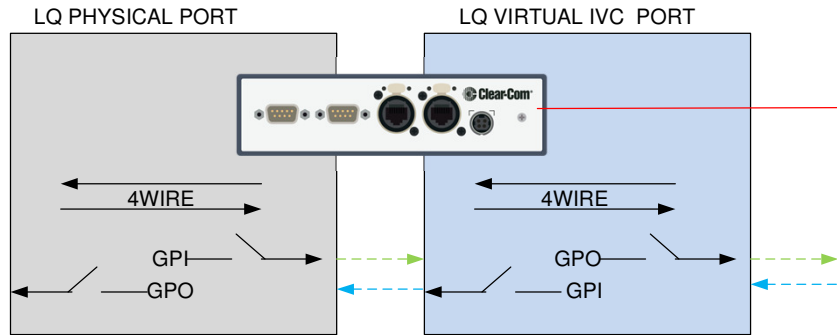
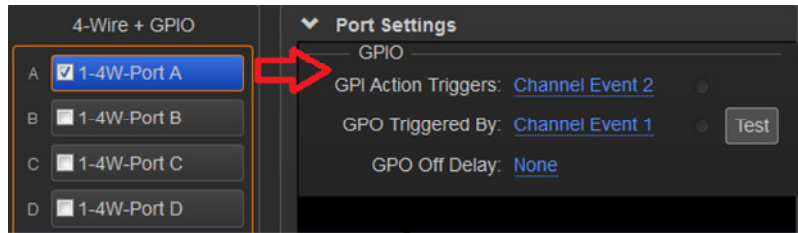


ECLIPSE MATRIX-IVC TO LQ CONNECTION

ECLIPSE MATRIX WITH IVC CARD



SETUP LQ PHYSICAL PORT TO TRIGGER GPIO



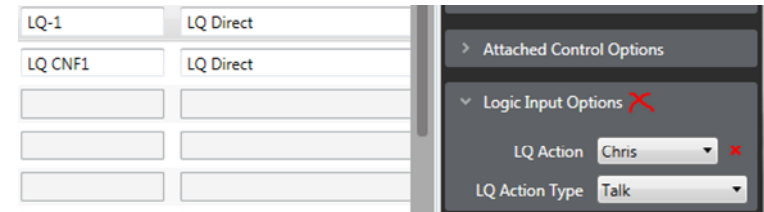
SETUP IVC-LQ PORT

3: IVC-32	3.3 (19)	Empty		
4: Empty	3.4 (20)	Trunk	1	IP Trunk
	3.5 (21)	Trunk	2	IP Trunk
	3.6 (22)	Trunk	3	IP Trunk
	3.7 (23)	Trunk	4	IP Trunk
	3.8 (24)	LQ	LQ-1	LQ Direct
	3.9 (25)	LQ	LQ CNF1	LQ Direct

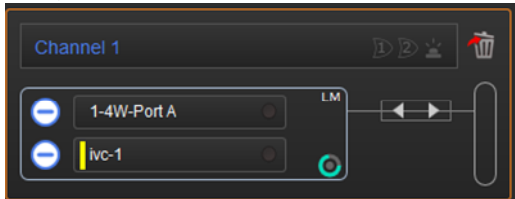
SETUP LQ VIRTUAL IVC PORT TO TRIGGER GPIO



SETUP IVC-LQ GPI ACTION TO CREATE AUDIO ROUTE



IN LQ ASSIGNMENTS PAGE PLACE 4WIRE + IVC PORT



THE PHYSICAL LQ GPI WILL TRIGGER THE LQ-IVC PORT GPO, WHICH WILL TRIGGER THE ECLIPSE IVC-LQ LOGIC INPUT (GPI)

THE IVC-LQ GPO WILL TRIGGER THE LQ-IVC PORT GPI, WHICH WILL TRIGGER THE LQ PHYSICAL PORT GPO

SETUP IVC-LQ GPO CONTROL

