

NOTES

- Wire colors assume EIA-T568-B cables. For EIA-T568-A use WH/OR, OR/WH instead of WH/GN, GN/WH.
- RJ-45 Jumpers, 1-7, 2-8 are optional but recommended. It is easiest to put them in on the CCU side.
- If RJ-45 jumpers are omitted, In EHX uncheck Hardware Detection for the port in Hardware/Cards and Ports/Global Options.

Sony HDCU 1500/1700 CCU To Eclipse 4 Wire Connection

Important
The 4 wire interfaces do not work unless the camera is properly Gen Locked.

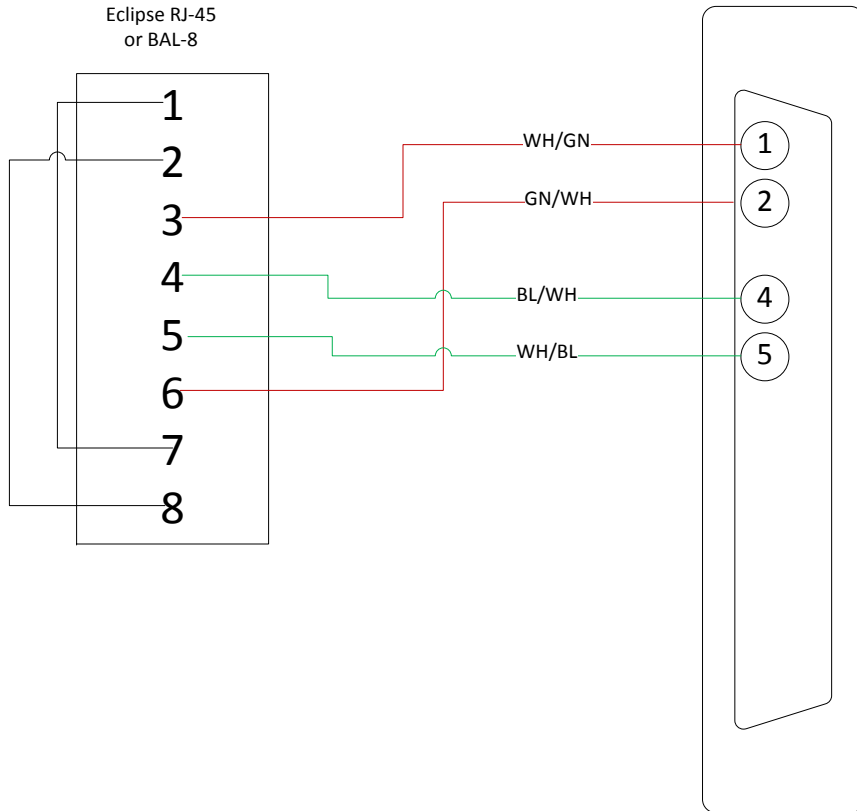
13. INTERCOM/TALLY/PGM
D-sub 25-pin, Female

- External View -
(0 dBu ± 0.775 Vrms)

No.	Signal	ID	Specifications
1	ENG (E) (O) OUT	0	ENG SYSTEM RECEIVE
2	ENG (E) (Y) OUT	0	± 0 dBu BALANCED
3	ENG (E)	—	GND for ENG
4	ENG (T) (O) IN	1	ENG SYSTEM TALK
5	ENG (T) (Y) IN	1	± 0 dBu BALANCED
6	PGM1 (O) IN	1	± 20 dBu ± 0 dBu ± 4 dBu
7	PGM1 (Y) IN	1	(Selectable with CCU Menu)
8	PGM1 (G) IN	1	(Selectable with CCU Menu)
9	GND	—	GND for AUX
10	AUX3	—	—
11	R TALLY (O) IN	1	ON: 24 Vdc, TTL (0), SHORT OFF: 0 Vdc, TTL (Δ), OPEN
12	R TALLY (Y) IN	1	ON: 24 Vdc, TTL (0), SHORT OFF: 0 Vdc, TTL (Δ), OPEN
13	GND	—	CHASSIS GND
14	PROD (R) (O) OUT	0	PROD SYSTEM RECEIVE ± 0 dBu BALANCED
15	PROD (R) (Y) OUT	0	PROD SYSTEM TALK
16	PROD (G)	—	GND for PROD
17	PROD (T) (O) IN	1	PROD SYSTEM TALK
18	PROD (T) (Y) IN	1	± 20 dBu ± 0 dBu ± 4 dBu
19	PGM2 (O) IN	1	± 20 dBu ± 0 dBu ± 4 dBu
20	PGM2 (Y) IN	1	(Selectable with CCU Menu)
21	PGM2 (G) IN	—	(Selectable with CCU Menu)
22	Y TALLY (O)	1	ON: 24 Vdc, TTL (0), SHORT OFF: 0 Vdc, TTL (Δ), OPEN
23	Y TALLY (Y)	1	ON: 24 Vdc, TTL (0), SHORT OFF: 0 Vdc, TTL (Δ), OPEN
24	O TALLY (O) IN	1	ON: 24 Vdc, TTL (0), SHORT OFF: 0 Vdc, TTL (Δ), OPEN
25	O TALLY (Y) IN	1	ON: 24 Vdc, TTL (0), SHORT OFF: 0 Vdc, TTL (Δ), OPEN

Engineering

Sony Intercom/
Tally DB25



Production

Sony Intercom/
Tally DB25

