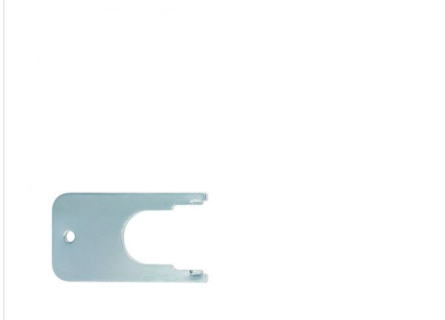
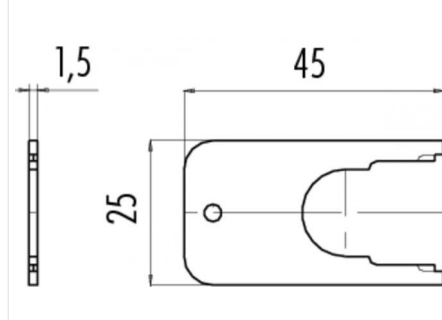


Product **423-723: Assembly spanner for panel mount connector**
 Article number **07 0010 001**

Illustration



Scale drawing



Matching products

- Male socket
- Female socket
- Male panel mount connector, solder
- Male panel mount connector, solder, screwed from front
- Male panel mount connector, dip-solder, screwed from front
- Male panel mount connector, crimp
- Male panel mount connector, crimp, screwed from front
- Male panel mount connector with flexible plate, screwed from front, silver plated contacts, Contacts: 7
- Flanschstecker mit Flexplatte, von vorn verschraubbar, versilberte Kontakte, Polzahl: 8
- Male panel mount connector with flexible plate, screwed from front, gold plated contacts, single row
- Male panel mount connector with flexible plate, screwed from front, gold plated contacts, double-row
- Female panel mount connector, solder, 2 - 8 contacts
- Female panel mount connector, solder, 12 - 19 contacts
- Female panel mount connector, solder, 24 contacts
- Female panel mount connector, solder, screwed from front, 2 - 8 contacts
- Female panel mount connector, solder, screwed from front, 12 - 19 contacts
- Female panel mount connector, solder, screwed from front, 24 contacts
- Female panel mount connector, dip-solder, screwed from front, 2 - 8 contacts
- Female panel mount connector, dip-solder, screwed from front, 12 - 19 contacts
- Female panel mount connector, dip-solder, screwed from front, 24 contacts
- Female panel mount connector, crimp
- Female panel mount connector, crimp, screwed from front
- Female panel mount connector with flexible plate, screwed from front, silver plated contacts, Contacts: 7
- Flanschdose mit Flexplatte, von vorn verschraubbar, versilberte Kontakte, Polzahl: 8
- Female panel mount connector with flexible plate, screwed from front, gold plated contacts, single row
- Female panel mount connector with flexible plate, screwed from front, gold plated contacts, double-row

- Male socket, solder, with UL approval
- Male panel mount connector, solder, screwed from the front, with UL approval
- Male panel mount connector, dip-solder, screwed from the front, with UL approval
- Male panel mount connector, crimp
- Male panel mount connector, crimp, screwed from front
- Male panel mount connector with flexible plate, contacts 7, screwed from front, silver plated contacts
- Male panel mount connector with flexible plate, contacts 8 DIN, screwed from front, silver plated contacts
- Male panel mount connector with flexible plate, contacts 12, screwed from front, gold plated contacts, single row
- Male panel mount connector with flexible plate, contacts 12, screwed from front, gold plated contacts, double-row
- Female panel mount connector, solder, 2 - 8 contacts, with UL approval
- Female panel mount connector, solder, 12 - 19 contacts, with UL approval
- Female panel mount connector, solder, 24 contacts, with UL approval
- Female panel mount connector, solder, screwed from front, 2 - 8 contacts, with UL approval
- Female panel mount connector, solder, screwed from front, 12 - 19 contacts, with UL approval
- Female panel mount connector, solder, screwed from front, 24 contacts, with UL approval
- Female panel mount connector, dip-solder, screwed from front, 2 - 8 contacts, with UL approval

Product	423-723: Assembly spanner for panel mount connector
Article number	07 0010 001

Female panel mount connector, dip-solder, screwed from front, 12 - 19 contacts, with UL approval
Female panel mount connector, dip-solder, screwed from front, 24 contacts, with UL approval
Female panel mount connector, crimp
Female panel mount connector, crimp, screwed from front
Female panel mount connector with flexible plate, contacts 7, screwed from front, silver plated contacts
Female panel mount connector with flexible plate, contacts 8 DIN, screwed from front, silver plated contacts
Female panel mount connector with flexible plate, contacts 12, screwed from front, gold plated contacts, single row
Female panel mount connector with flexible plate, contacts 12, screwed from front, gold plated contacts, double-row