

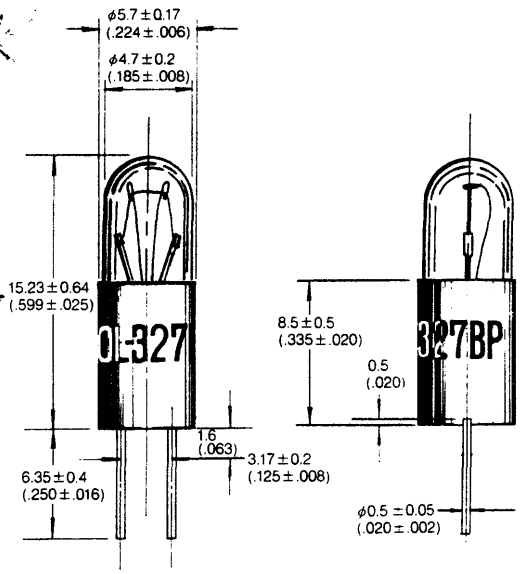
570047

# T-1 3/4 Bi-Pin

Maximum Diameter 5.87mm(.230") Pin Spacing 3.17mm(.125")

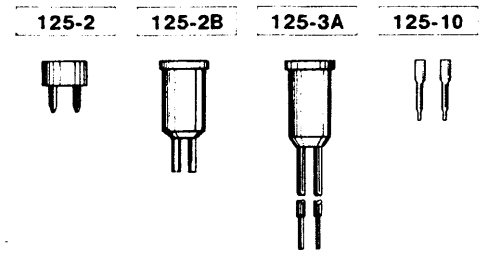
Line Nos.	Oshino Lamp Numbers	Design Volts	Design Amps	AVG. MSCd	Filament shape	Life (hours)
1	OL-368BP	2.5	.20	.20	C-2R	500
2	OL-268BP	2.5	.35	.21	C-2R	10,000
3	OL-338BP	2.7	.06	.04	C-2R	6,000
4	OL-6133BP	3.0	.04	.03	C-2R	10,000
5	OL-6049BP	4.5	.12	.045	C-2V	25,000
6	OL-6050BP	5.0	.015	.002	C-2V	25,000
7	OL-6030BP	5.0	.02	.02	C-2V	10,000
8	OL-6135BP	5.0	.03	.03	C-2R	16,000
9	OL-6063BP	5.0	.04	.025	C-2R	50,000
10	OL-782BP	5.0	.06	.03	C-2R	200,000
11	OL-783BP	5.0	.06	.05	C-2R	100,000
12	OL-6084BP	5.0	.06	.15	C-2R	5,000
13	OL-6233BP	5.0	.075	.09	C-2R	40,000
14	OL-815BP	5.0	.115	.15	C-2R	40,000
15	OL-428BP	5.0	.18	.35	C-2R	3,000
16	OL-345BP	6.0	.04	.04	C-2V	10,000
17	OL-6226BP	6.0	.06	.13	C-2R	3,000
18	OL-332BP	6.0	.20	.10	C-2F	50,000
19	OL-328BP	6.0	.20	.34 (5V)	C-2R	1,000
20	OL-380BP	6.3	.04	.03	C-2V	50,000
21	OL-377BP	6.3	.075	.23	C-2R	1,000
22	OL-350BP	6.3	.15	.45	C-2R	3,000
23	OL-381BP	6.3	.20	.40	C-2F	50,000
24	OL-349BP	6.3	.20	.55	C-2R	5,000
25	OL-344BP	10.0	.014	.004	C-2F	50,000
26	OL-367BP	10.0	.04	.08	C-2F	5,000
27	OL-394BP	12.0	.04	.12	C-2F	10,000
28	OL-6038BP	12.0	.06	.15	C-2V	16,000
29	OL-382BP	14.0	.08	.30	C-2F	50,000
30	OL-330BP	14.0	.08	.50	C-2F	1,500
31	OL-6006BP	14.0	.088	.50	C-2F	4,000
32	OL-8918BP	14.0	.10	.50	C-2F	10,000
33	OL-6003BP	15.0	.037	.075	C-2F	50,000
34	OL-370BP	18.0	.04	.15	C-2F	10,000
35	OL-459BP	22.0	.04	.30	C-2F	2,000
36	OL-6005BP	24.0	.05	.50	C-2F	1,000
37	OL-6034BP	28.0	.024	.15	C-2F	16,000
38	OL-385BP	28.0	.04	.20	C-2F	25,000
39	OL-387BP	28.0	.04	.30	C-2F	7,000
40	OL-327BP	28.0	.04	.34	C-2F	4,000
41	OL-327LSV-BP	28.0	.06	.34	C-2F	25,000
42	OL-365BP	28.0	.06	.60	C-2F	5,000
43	OL-6133BP	32.0	.033	.34	C-2F	10,000
44	OL-6032BP	48.0	.02	.15	CC-2F	5,000
45	OL-6195BP	60.0	.02	.15	CC-2F	5,000

Unit in mm (inch)



**Applicable Sockets:**

For further details, refer to page 47.



Specify GPL for pin plating.