

## 1.3 Example applications

### 1.3.1 Example applications: 2-wire connections

### 1.3.2 Example applications: LQ to matrix connections

### 1.3.3 Example applications: Radio bridging (GPIO)

### 1.3.4 Example applications: Larger systems

### 1.3.1 Example applications: 2-wire connections

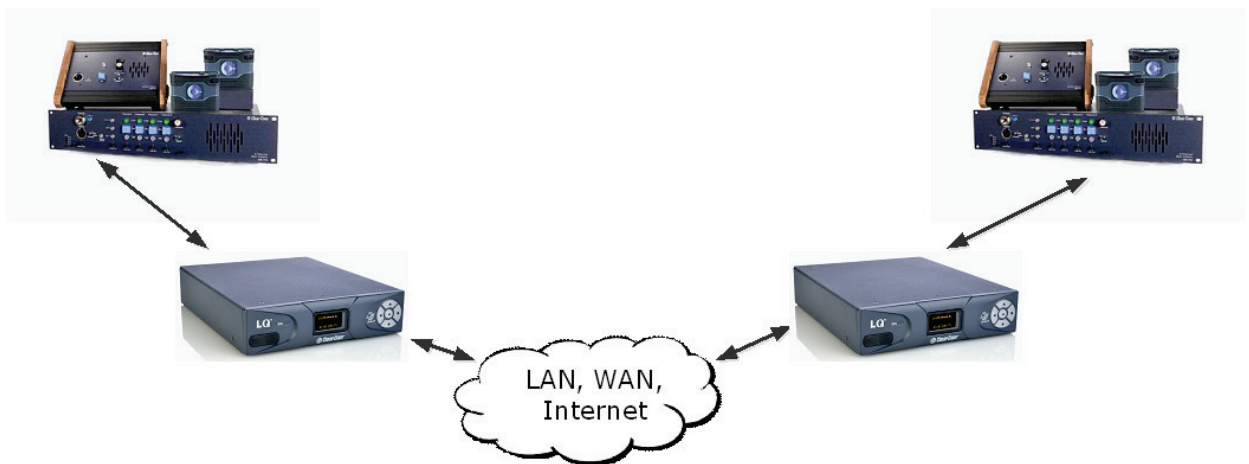
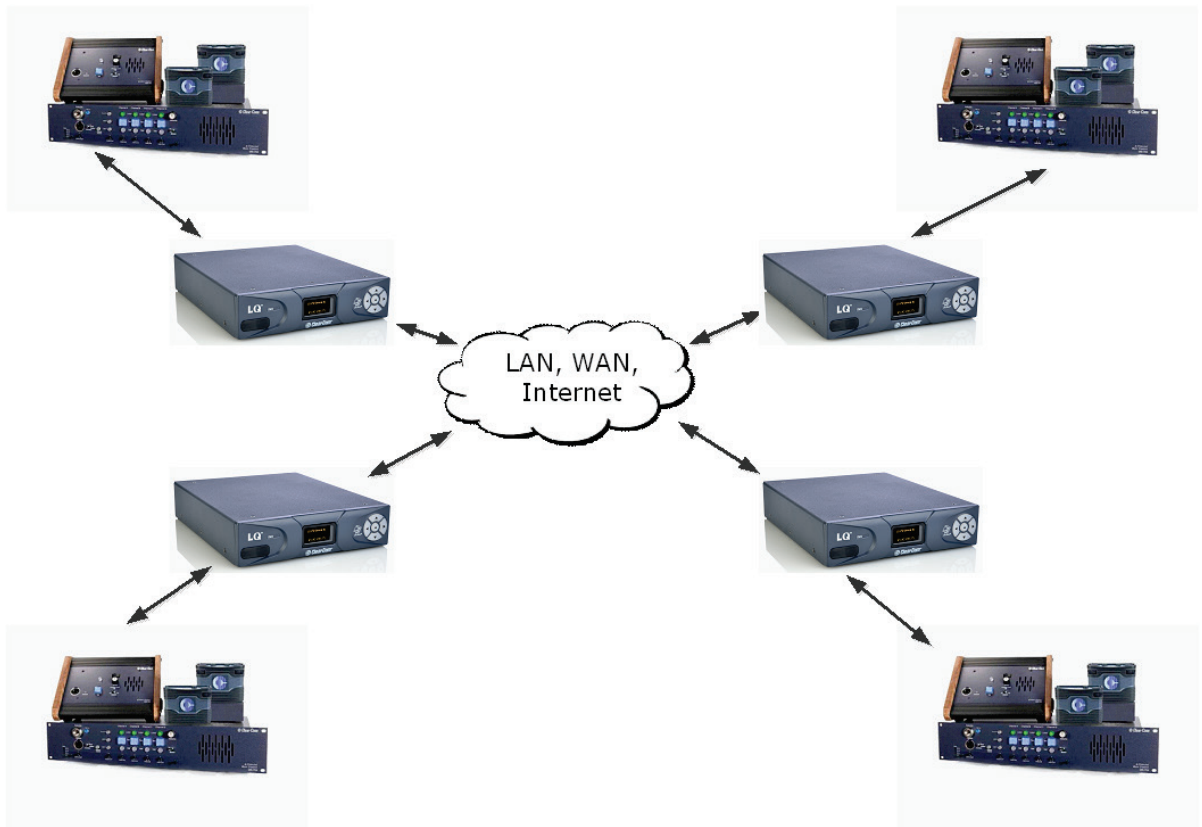
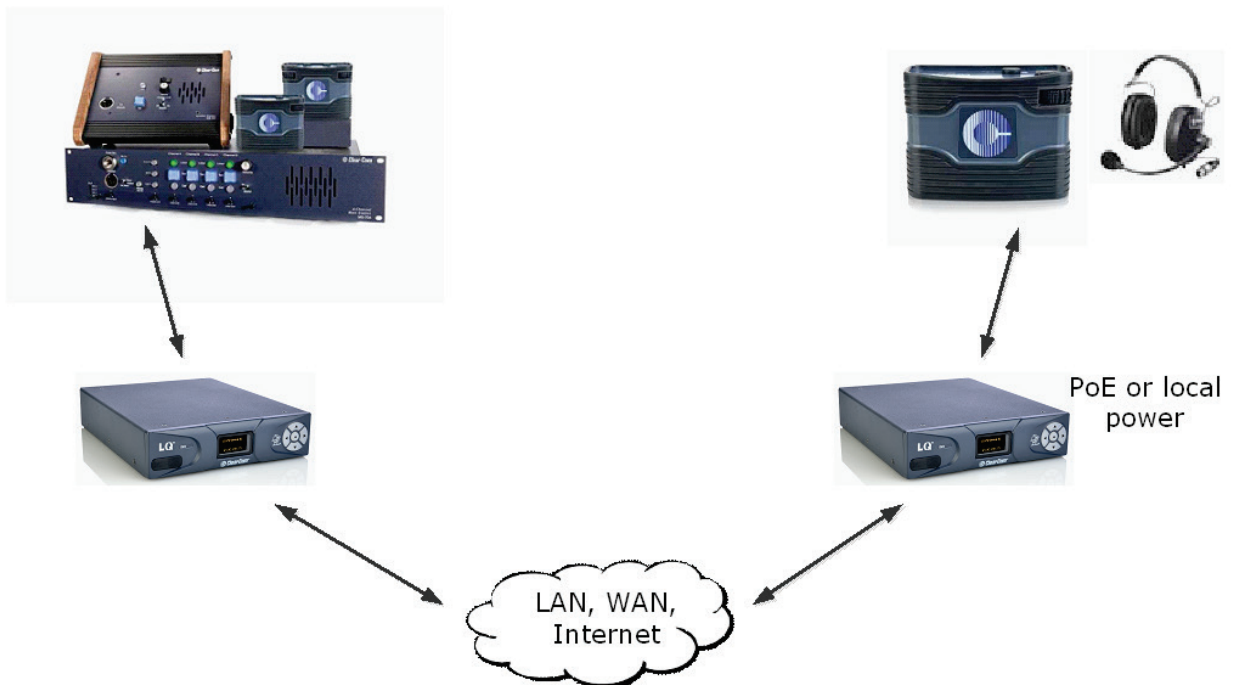


Figure 1-1 Partyline to Partyline (2-wire connection)

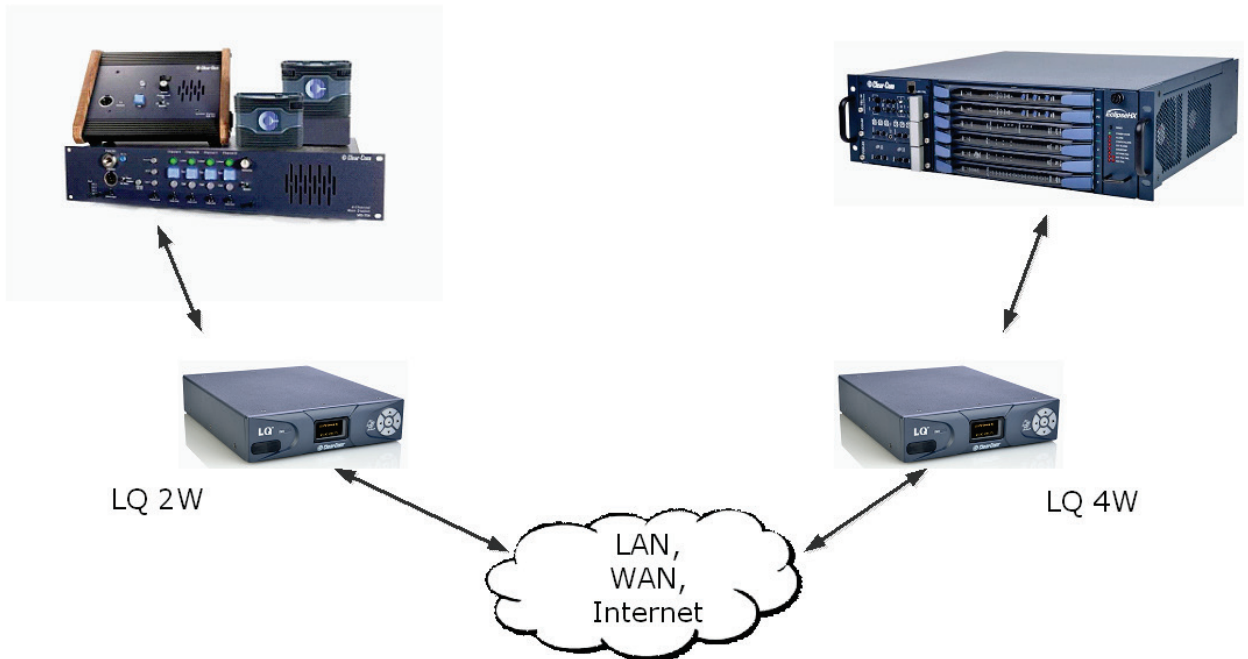


**Figure 1-2 Partyline to Partyline (2-wire connection)**



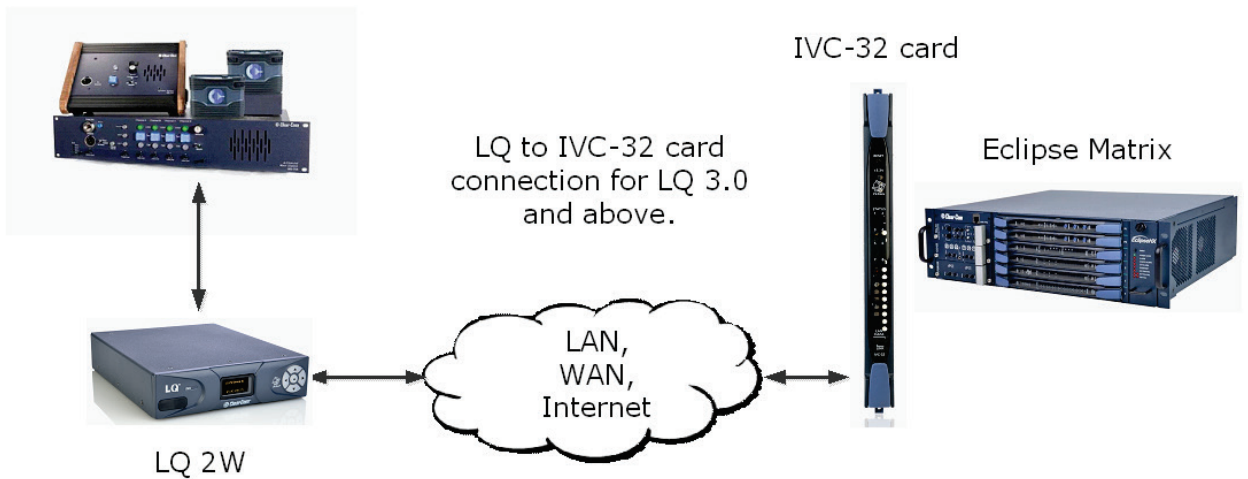
**Figure 1-3 Partyline to beltpack**

### 1.3.2 Example applications: LQ to matrix connections

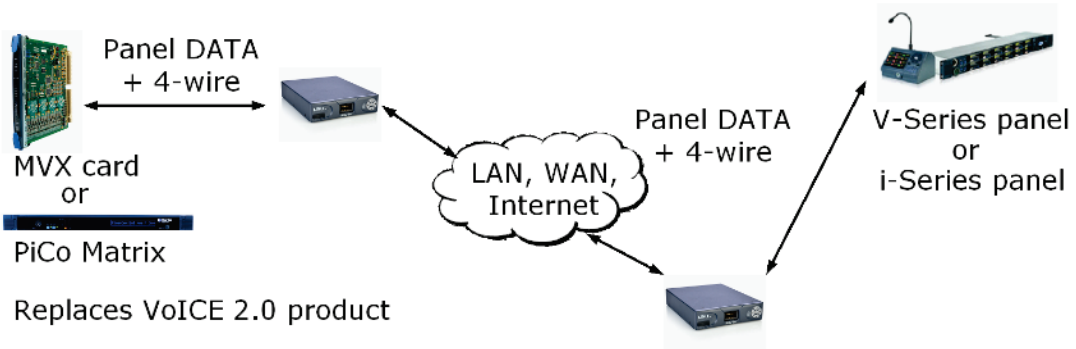


**Figure 1-4 Partyline to matrix (2-wire to 4-wire)**

**Note:** The above configuration can be used with LQ 1.0 and 2.0. LQ 3.0 connects directly to a matrix using an IVC-32 port.



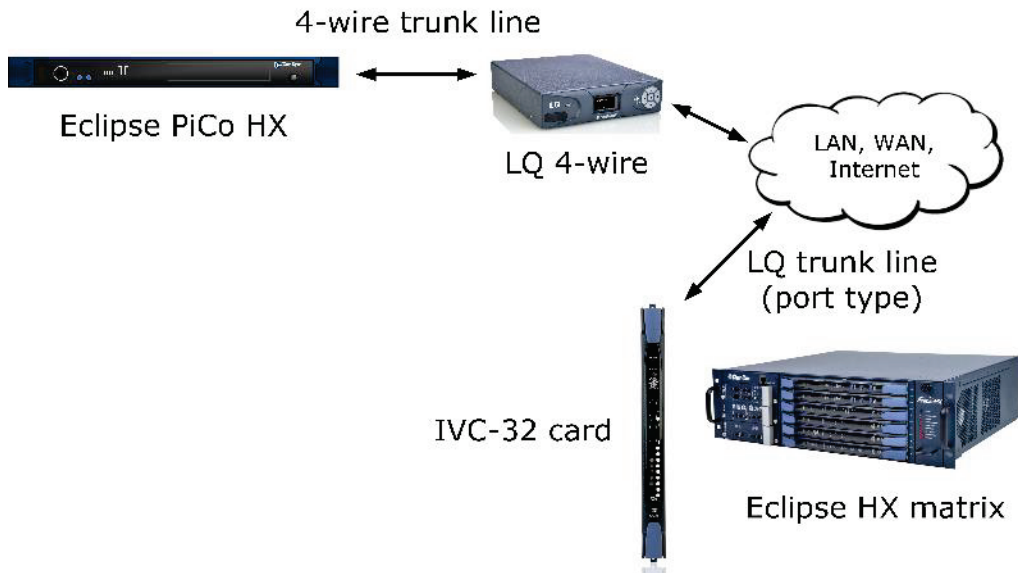
**Figure 1-5 Connection to matrix using IVC-32 port**



Note: Panel data is passed between a pair of LQ devices, providing a 4-wire direct connection between two ports.

**Figure 1-6 PiCo matrix connection**

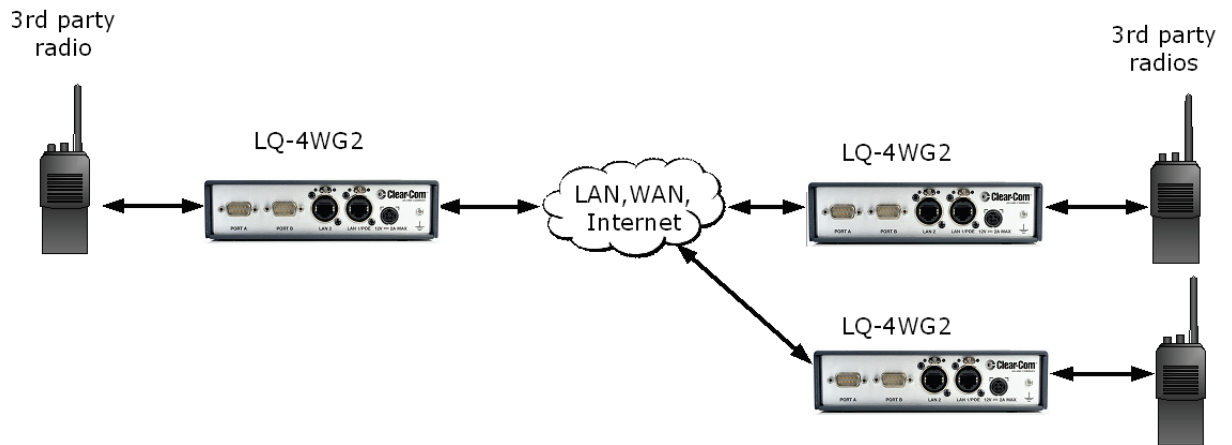
**IP trunking: Eclipse HX to PiCo HX (EHX 8.7 and above)**



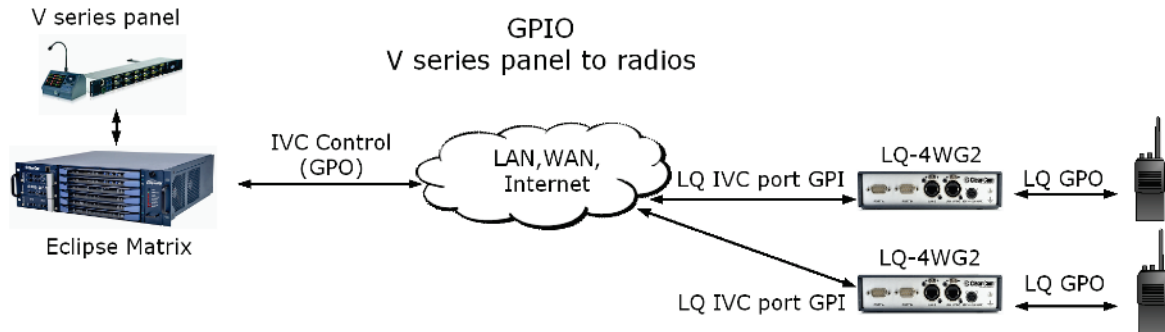
**Figure 1-7 PiCo HX to Eclipse HX (8.7)**

### 1.3.3 Example applications: Radio bridging (GPIO)

GPIO signals are converted to digital signals and then passed across the IP infrastructure (as with a 2-wire call signal).

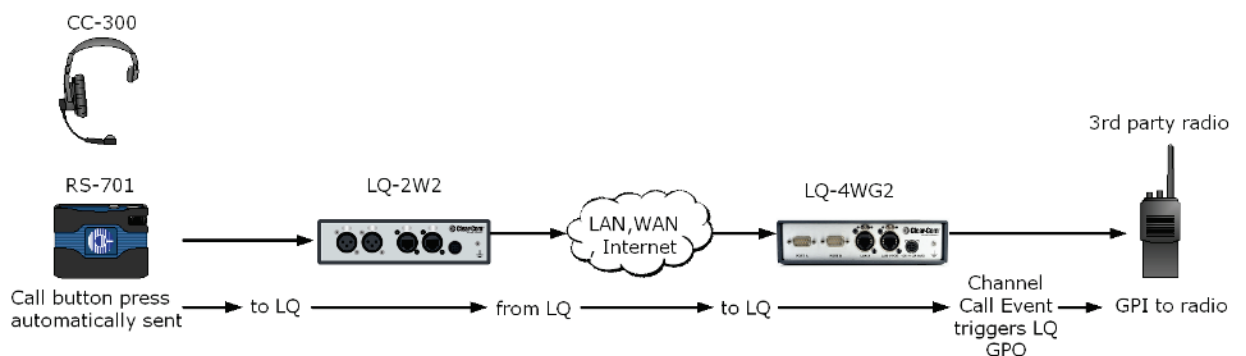


**Figure 1-8 Radio to radio**



**Figure 1-9 Panel to radio**

GPO from beltpack to radio on Call button press



For configuration details see **What are Channel Logic Events and how do I use them?** and **GPIO: Examples and step-by-step setup, Example 1.a.**

**Figure 1-10 Call button to radio**

GPIO signals are converted to digital signals and then passed across the IP infrastructure (as with a 2-wire call signal).

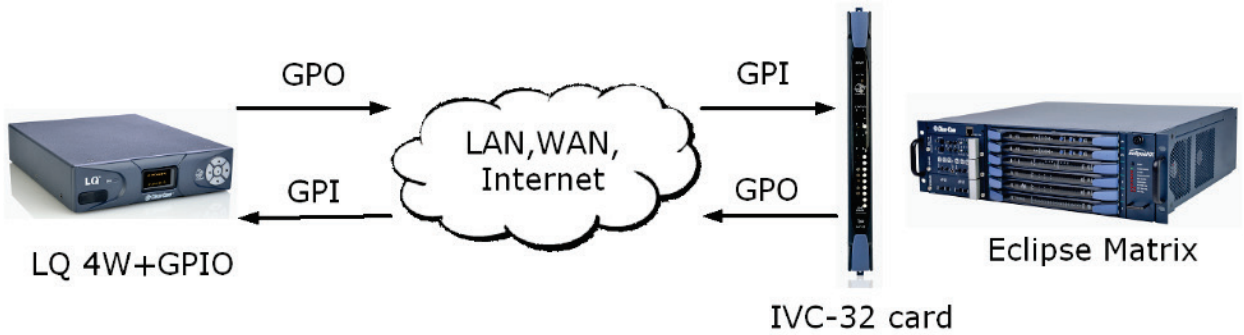


Figure 1-11 LQ 4W+GPIO to and from matrix

### 1.3.4 Example applications: Larger systems

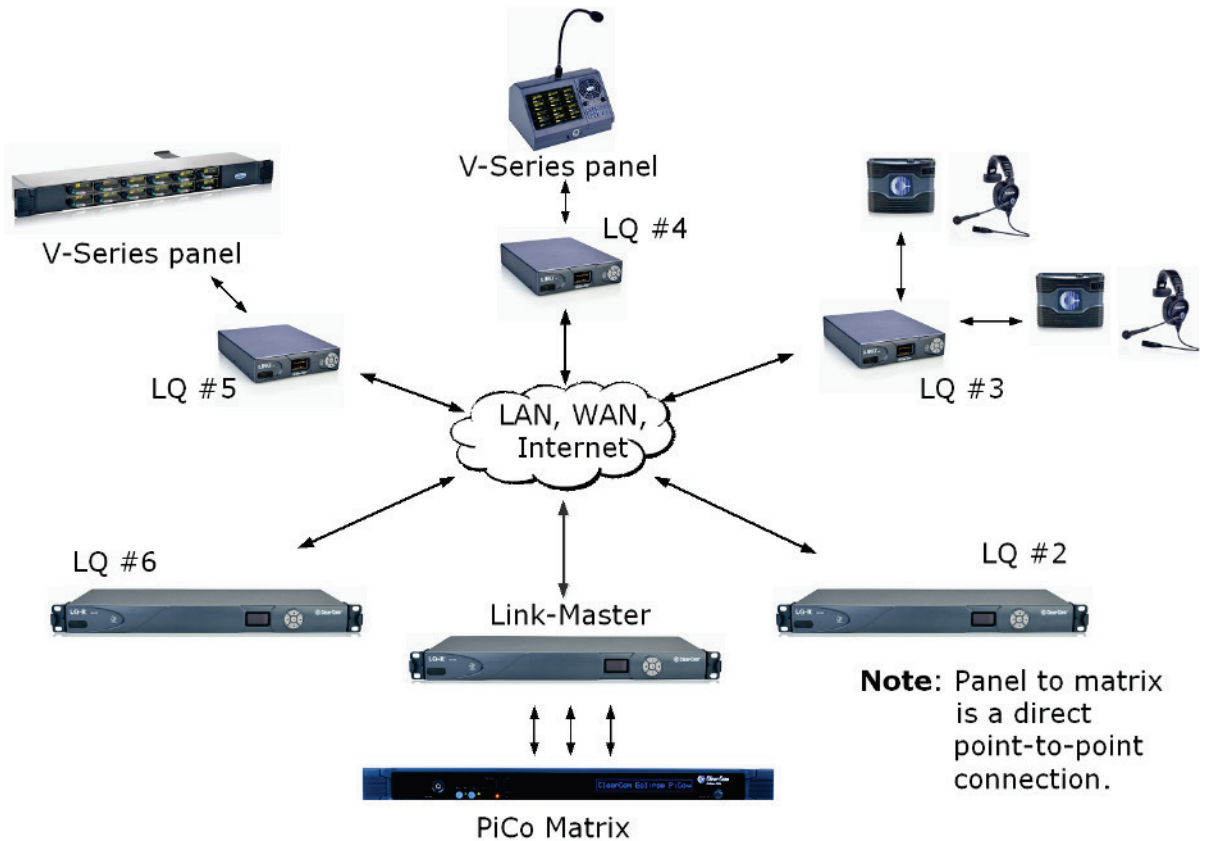
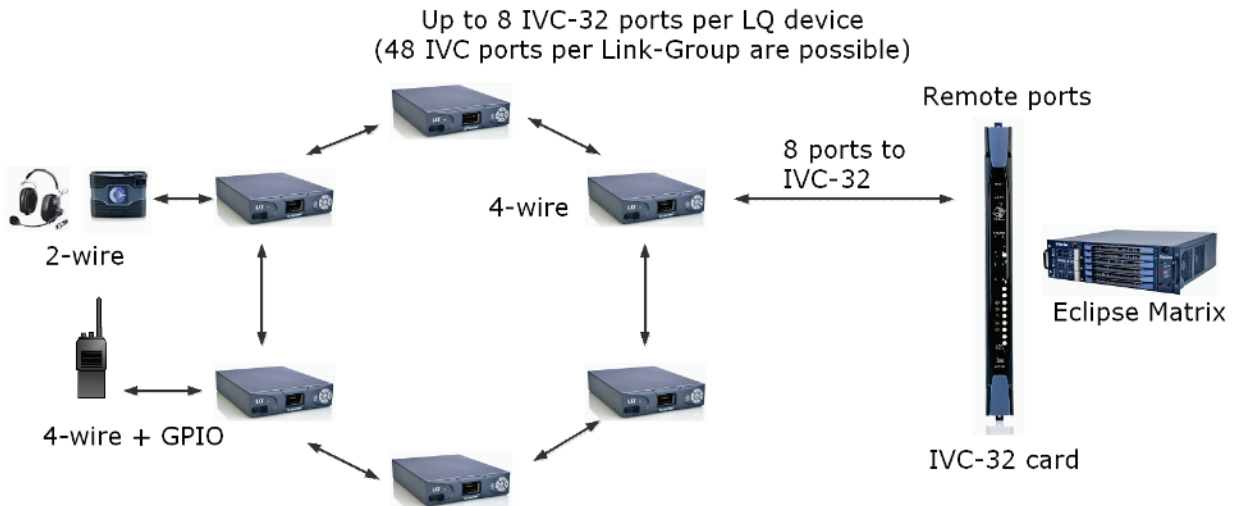
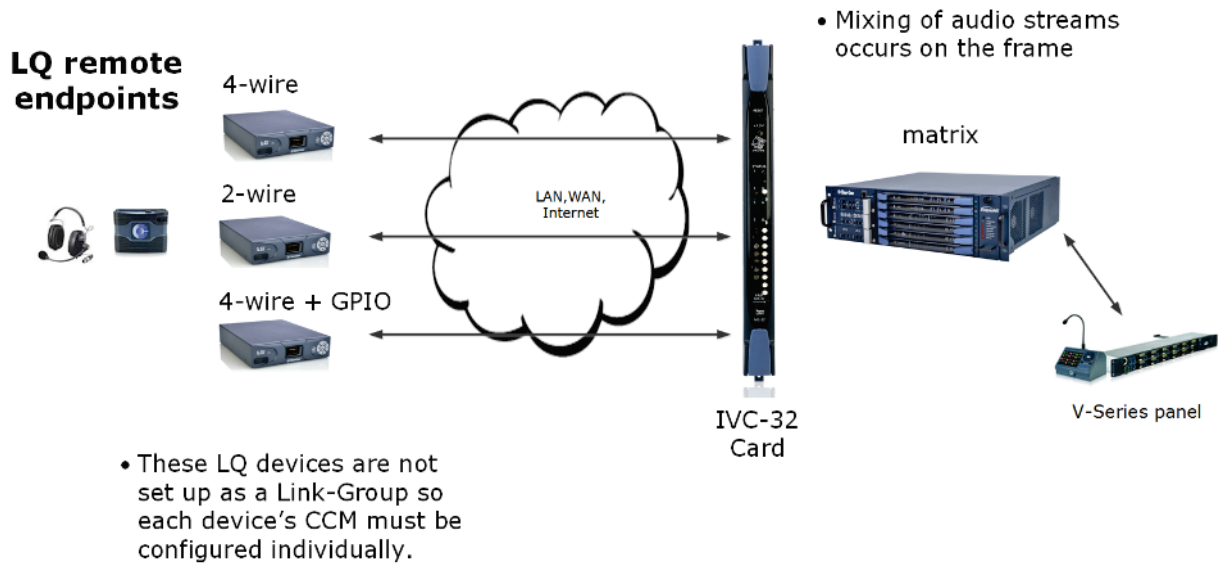


Figure 1-12 Partyline and 4-wire direct together



**Figure 1-13 Link-Group to remote ports**



**Figure 1-14 LQ remote endpoints to matrix**