

CC-300 / CC-400 Headsets

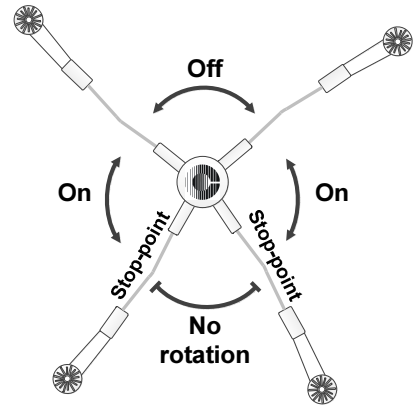
CC-300 (single ear) and CC-400 (dual ear) intercom headsets are designed for use with Clear-Com intercom systems, including digital systems and partyline main stations and beltpacks.

Using your CC-300 / CC-400 Headset

You can position the microphone boom for either the **right** or the **left** side of the head. You can adjust the fit of the headset by using the slide adjusts to either side of the headband.

Turn the headset microphone **on** by pulling the boom gently **downwards** (down past the 10 O'Clock / 2 O'Clock angle).

Turn the headset microphone **off** by pushing the boom gently **upwards** (to above the 10 O'Clock / 2 O'Clock angle).



Wiring

Type	Function	Cable color	XLR-4 Pin	XLR-5 Pin	XLR-6 Pin	XLR-7 Pin
Microphone	Microphone +	Yellow	Pin 2	Pin 2	Pin 2	Pin 2
	Microphone -	Green	Pin 1	Pin 1	Pin 1	Pin 1
	Shield	-			Pin 6	
Headphone	Speaker Left -	Orange	Pin 3	Pin 3	Pin 3	Pin 3
	Speaker Right -	Red				
	Speaker Left +	Brown	Pin 4	Pin 4	Pin 4	Pin 4
	Speaker Right +	Blue		Pin 5	Pin 5	Pin 5

Note:

For the XLR-7 connector, Pins 6 and 7 are non-connects (NC).

Cabling options

CC-300	CC-400	Cable	Connector	Headphone wiring	Microphone wiring
CC-300-X4	CC-400-X4	HC-X4	XLR 4 female	Mono	Unbalanced
CC-300-X6	CC-400-X6	HC-X6	XLR 6 male	Binaural	Balanced
CC-300-X5	CC-400-X5	HC-X5	XLR 5 male	Binaural	Unbalanced
CC-300-Y5	CC-400-Y5	HC-Y5	XLR 5 female	Binaural	Unbalanced
CC-300-X7	CC-400-X7	HC-X7	XLR 7 female	Binaural	Unbalanced
CC-300-B6	CC-400-B6	HC-B6	No connector		

Specification

Specification	Description	
Headphone type	Closed-back dynamic.	
Headphone driver	40mm (1.57in), neodymium magnet, copper-clad aluminium wire voice coil.	
Mic element	Dynamic	
Mic polar pattern	Hyper cardioid	
Frequency response	Headphone	40 – 20 000Hz
	Microphone	300 – 20 000Hz
Open circuit sensitivity	- 61.0 dB ± 3.5 dB (0dB=1V/1Pa, at 1KHz , typical)	
Sensitivity (Headphone)	CC-300	102±3 dB (SPL) / 1mW ,at 1KHz ,typical.
	CC-400	98±3 dB (SPL) / 1mW ,at 1KHz ,typical.
Max. input power	500mW	
Impedance	Headphone	CC300: 400 ohms ±30% ,at 1KHz CC400: 200 ohms ±30% ,at 1KHz
	Microphone	200 ohms ±30% ,at 1KHz
Weight	CC-300	245g without 8-pin cord assy
	CC-400	315g without 8-pin cord assy
Cable	1.55m long with 8-pin connector at headset end; 4-pin (female) XLR type connector.	

Diagrams

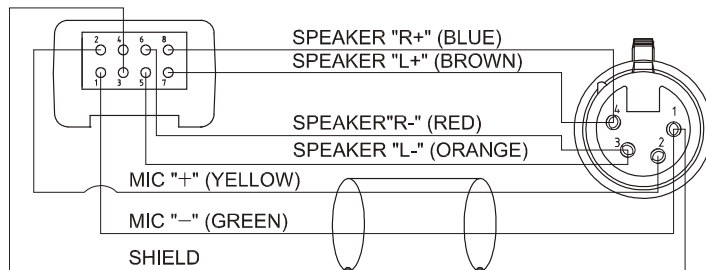


Figure 1: CC-300 and CC-400 wiring diagram (XLR-4 female)

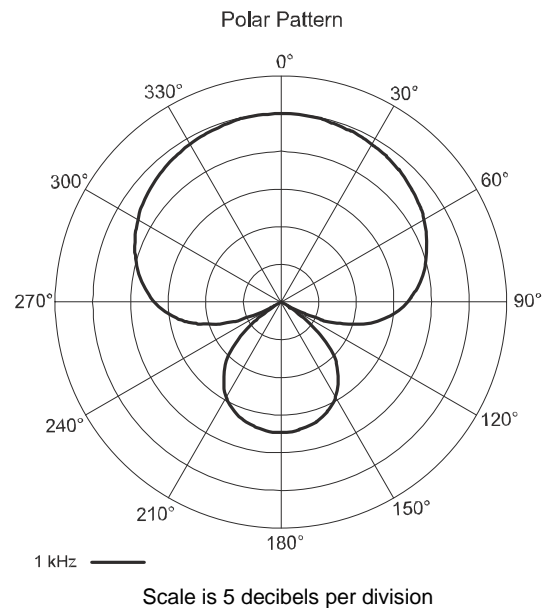


Figure 2: Microphone polar pattern

PN: 810522ZB. Copyright © 2012 HME Clear-Com Ltd. All rights reserved.

Clear-Com and the Clear-Com logo are trademarks or registered trademarks of HM Electronics, Inc. The product described in this document is distributed under licenses restricting its use, copying, distribution, and decompilation /reverse engineering. No part of this document may be reproduced in any form by any means without prior written authorization of Clear-Com, an HME Company. Clear-Com Offices are located in California, USA; Cambridge, UK; Montreal, Canada; and Beijing, China. Specific addresses and contact information can be found on Clear-Com's corporate website: www.clearcom.com