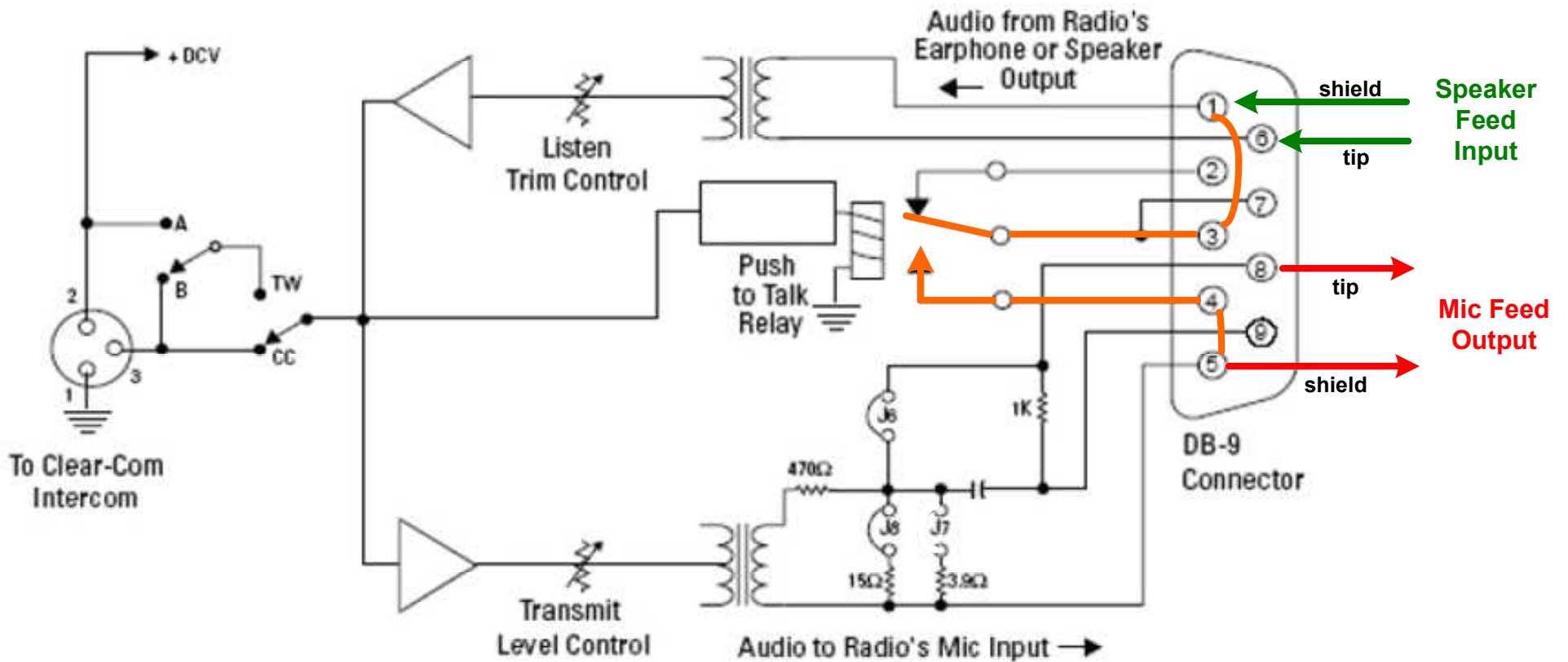


TW-47 Interface

Relay Across Sleeves of Mic



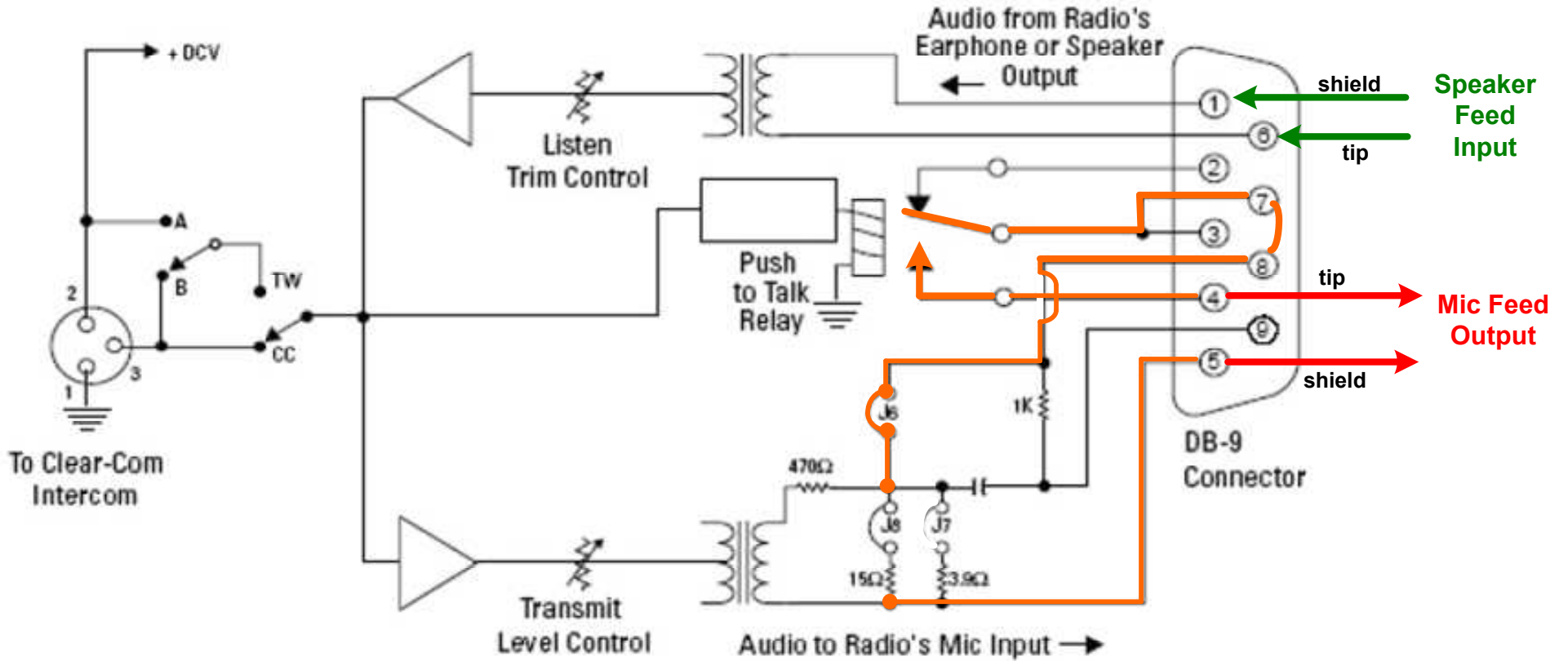
J6 On (DC path for mic)

J7 Off

J8 On (Medium gain mic input)

TW-47 Interface

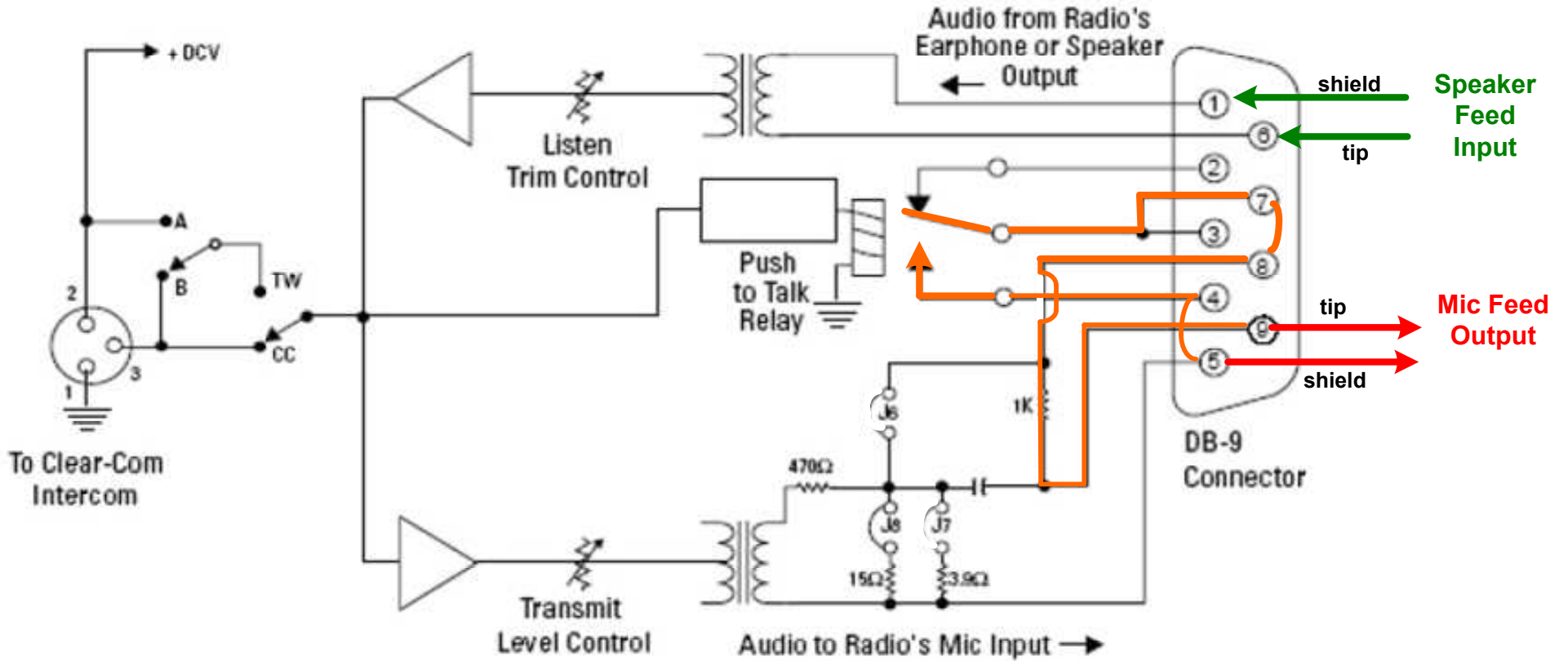
Relay In Series with Mic



J6 On (DC path for mic)
J7 Off
J8 On (Medium gain mic input)

TW-47 Interface

Relay Shunting the Mic



J6 Off
J7 Off
J8 On (Medium gain mic input)