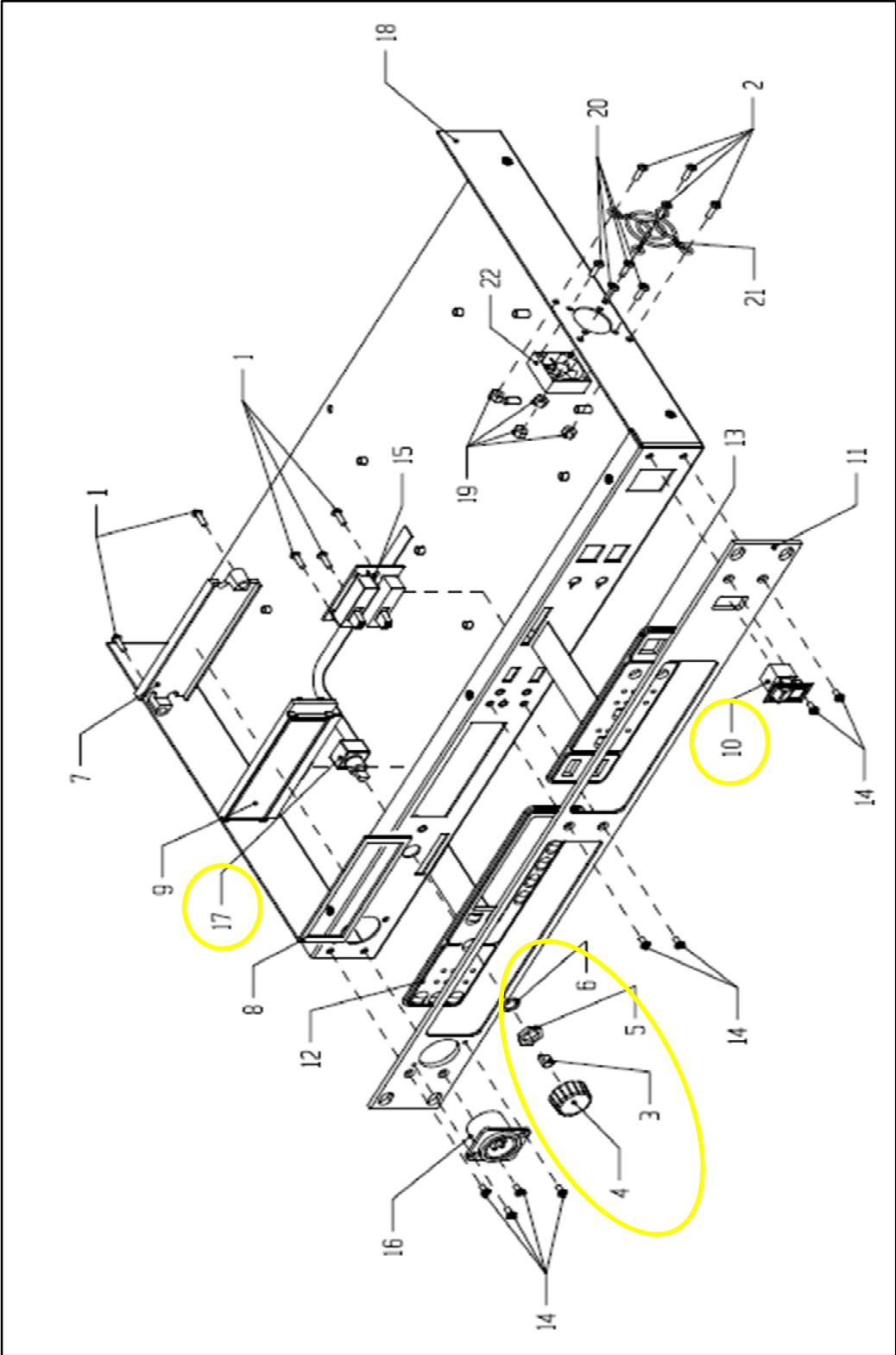
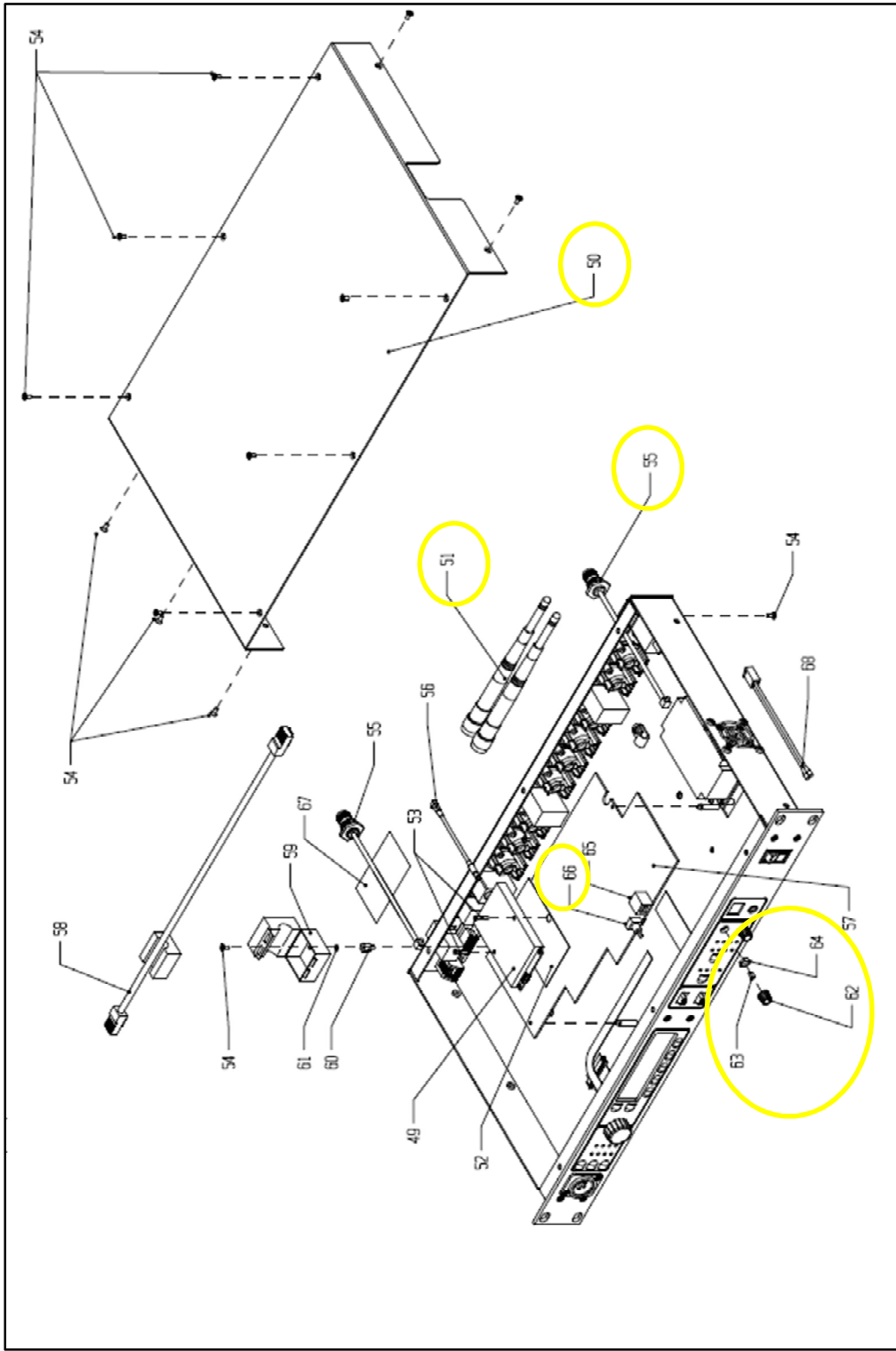


# TEMPEST BASESTATION SPARES EXPLODED VIEW

DATE: Feb 2014

4 Channel Basestation diagram used for illustrative purposes





The spares list below covers all 2 chnl and 4 chnl (2400 / 900 ) basestations

| Item      | Part number    | Description  |
|-----------|----------------|--|
| 51        | CCT-WA         | Tempest 2400 Replacement Whip Antenna,   |
| <b>51</b> | <b>870003Z</b> | <b>Tempest 900 Replacement Whip Antenna</b>  |
| 62+63+64  | 720407Z        | Tempest Replacement BaseStation IN-OUT Level Knob  |
| 66        | 674G008        | Tempest Replacement BaseStation IN-OUT Level encoder                                     |
| 3+4+5+6   | 720408Z        | Tempest Replacement BaseStation Volume Knob Assembly                                     |
| 55        | 770131Z        | Tempest Replacement BaseStation Antenna Port & Cable Assembly<br>for <b>2400 systems</b> |
| 17        | 760230Z        | Tempest Replacement BaseStation Volume/Scroll Knob Shaft<br>Assembly                     |
| 10        | 510186Z        | Tempest Replacement BaseStation On/Off Switch  |
| 50        | 259008Z        | Tempest Replacement BaseStation Top Lid  |
|           |                | <b>Note not all parts are available as spares</b>  |