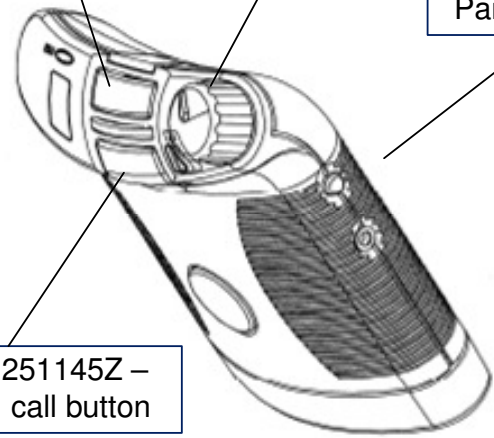


RS600 SERIES SERVICE SPARE PARTS

RS-600 Series Service Spare Parts

- 251244Z RS-600 Replacement Belt Clip
- 280012Z RS-600 Replacement Clip Screws
- 251143Z RS-600 Replacement Release Button
- 251144Z RS-601 Replacement Talk Button
- 251145Z RS-601 Replacement Call Button
- 251146Z RS-602 Replacement Talk Button (Left)
- 251147Z RS-602 Replacement Talk Button (Right)
- 251148Z RS-602 Replacement Call Button (Left)
- 251149Z RS-602 Replacement Call Button (Right)
- 211023Z RS-600 Replacement Flex Cable
- 251063Z CellCom/FreeSpeak/RS-600 Replacement Beltpack Encoder Knob

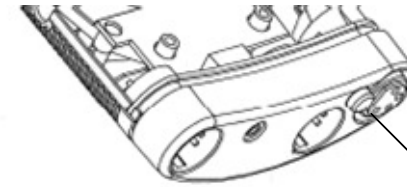


Part # 251144Z – RS601 talk button

Part # 251063Z – encoder knob

Part # 251244Z – RS600 belt clip
Part # 280012Z – RS600 clip screws

Part # 251145Z – RS601 call button



Part # 251143Z – RS600 release button

Part # 251146Z – RS602 left talk button

Part # 251147Z – RS602 right talk button

Part # 251244Z – RS600 belt clip
Part # 280012Z – RS600 clip screws

UNLOCK P1 ON THE PCB ASSY BY SLIDING BLACK RETAINING BEZEL OUT.

SLIDE 211023 ZIF CABLE INTO P1 WITH THE COLORED TAB UP.

LOCK ZIF CABLE INTO P1 BY SLIDING BLACK RETAINING BEZEL IN.

Part # 211023Z – RS600 flex cable

USING THE STEPS SHOWN ABOVE, CONNECT ONE END OF THE 211023 ZIF CABLE INTO P1 ON 710601 PCB ASSY. THEN CONNECT THE OTHER END OF THE CABLE INTO P1 ON THE 710667 PCB ASSY.

KEY CODE
 VIOLET – CAT5 / AUDIO
 BLUE – ENCORE PARTY LINE
 BROWN – ETHERNET
 PINK – E1 CABLING
 GREEN – CUSTOM CABLING
 ORANGE – TELCO CABLING
 RED – FIBRE CABLING

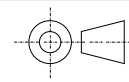
Part # 251148Z – RS602 left call button

Part # 251149Z – RS602 right call button

Part # 251063Z – encoder knob

A3

NOT TO SCALE



3rd ANGLE

This drawing/specification is the property of CLEAR.COM LIMITED and may not be reproduced or disclosed to a third party in any form without the written permission of the company

DRAWN BY:



CLEAR-COM LTD
 2000 Beach Drive,
 Cambridge CB25 9TP,
 United Kingdom
 Tel: +44 1223 815000
 Fax: +44 1223 815099
 e-mail: customerservices@clearcom.com
 Web: www.clearcom.com

FILE LOCATION:

TITLE:

RS600 SERIES SERVICE SPARE PARTS
 drawing dated Feb 2016
 EoE (please check with sales if any part numbers have changed)

DATE: Jan 2016

ISSUE:

A