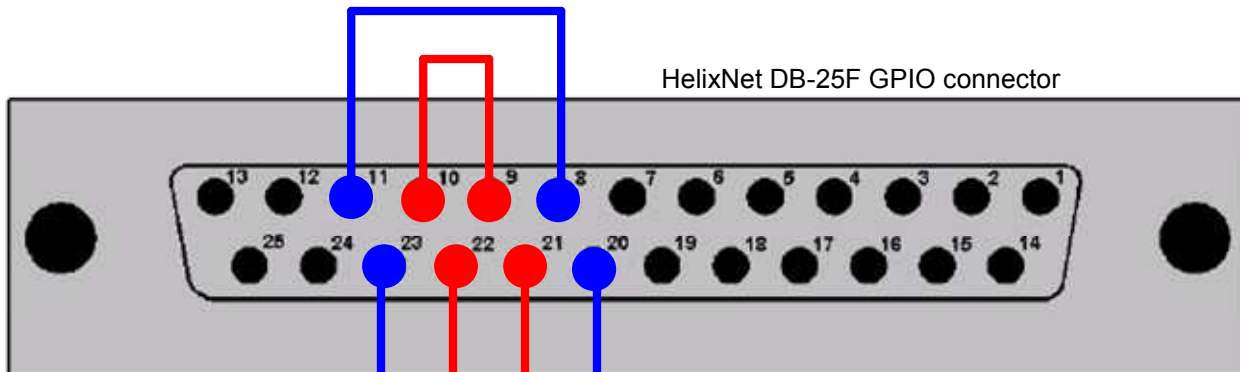


HelixNet Logic footswitch wiring diagram



Install jumpers from **pin 8 to pin 11** and from **pin 9 to pin 10**.

For Logic #1 wire foot switch from pin 21 to 22.

For logic #2 wire foot switch from pins 20 to 23.

(shown above)

Install jumpers from pin 8 to pin 13 and from pin 9 to pin 12.

For Logic #3 wire foot switch from pin 21 to 24.

For logic #4 wire foot switch from pins 20 to 25.

(not shown)

Logic Input Control Functions

HelixNet DB-25 Pinouts

1	Relay 1 NC	14	Relay1 Pole
2	Relay 1-NO	15	Relay 2 NC
3	Relay2-Pole	16	Relay 2-NO
4	Relay 3 NC	17	Relay3 Pole
5	Relay 3-NO	18	Relay 4 NC
6	Relay4-Pole	19	Relay 4-NO
7		20	+5V
8	GND	21	+5V
9	GND	22	Opto 1-
10	Opto 1+	23	Opto 2-
11	Opto 2+	24	Opto 3-
12	Opto 3+	25	Opto 4-
13	Opto 4+		

To configure the Control I/O for Opto inputs:

1. In **Menu mode**, select **Control I/O**.
2. From the second menu (second display screen), select **Inputs**.
3. From the third menu (third display screen), select one of the four available Opto inputs:
 - Opto 1
 - Opto 2
 - Opto 3
 - Opto 4
4. From the fourth menu (fourth display screen), select one of the following:
 - None
 - Call Key 1
 - Talk Key 1
 - Call Key 2
 - Talk Key 2
 - Call Key 3
 - Talk Key 3
 - Call Key 4
 - Talk Key 4
5. To enable (confirm) the selected setting, press the **rotary control**.