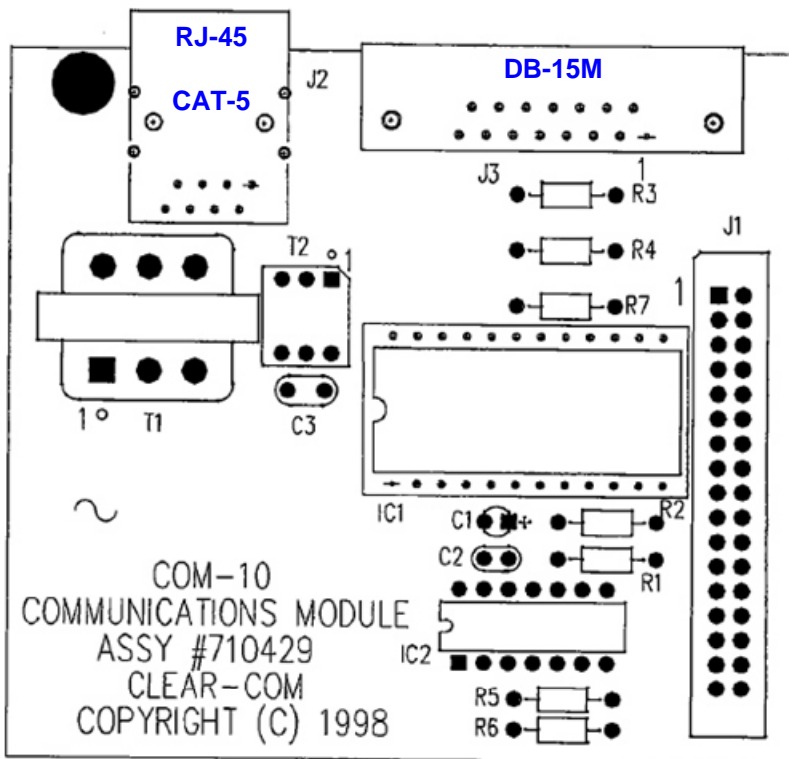


ICS-1016, ICS-2003 & I-Station Matrix +3 Com Card Versions



COM-10 Communications
Module Rev A

COM-10 Rev A → This version of com card is capable of a flash upgrade using the Matrix +3 firmware updater via the RJ-45 or DB-15 connectors. It is currently used on Matrix +3 analog stations (ICS-2003, ICS-1016 and I-Station) allowing a station to connect to the frame via standard CAT-5 or CAT-6 cabling.

The card can be identified as a COM-10 by the RJ-45 connector and part # 710429. This com card only supports analog frame MVX port card use on M+3 or Eclipse format frames.

The EPROM is also capable of reprogramming via a standalone prom programmer and the correct Bin or Hex binary file. This only applies to the ICS-1016 and ICS-2003 stations.

The I-Station uses a terminal program (Tera-Term or Hyper-Terminal) with a host PC / custom cable and serial firmware file (.s19 file).

Notes on Upgrading ICS-1016, ICS-2003 & I-Stations with COM-10 com card

The ICS-1016 and ICS-2003 Stations use a programmed 29C010A EPROM. Specify version # of firmware for proper compatibility with frame firmware and PGM-Win or Eclipse software

Programmed IC 11 for analog ICS-1008 or 1016 Matrix +3 station use: part # 710481

Programmed IC 5 for analog ICS-2003 Matrix +3 station use: part # 710430

Programmed IC 11 for analog ICS-2003 Matrix +3 station use: part # 710431

Programmed IC 11 for analog ICS-1008 or 1016 Eclipse panel use: part # 710632Z

Programmed IC 5 for analog ICS-2003 Eclipse panel use: part # 710648Z

Programmed IC 11 for analog ICS-2003 Eclipse panel use: part # 710649Z

As noted above with the I-Station it is possible to update the flash ROM in these units using a RS-232 to RS-422 converter and a serial port of any PC running a dumb terminal program. A special text file with the updated code must be obtained from Clear-Com Applications Engineering, file extension is .s19.

October 2009



TITLE: ICS-1016, 2003 & I-Stn
Com Card Versions

Rev:
A