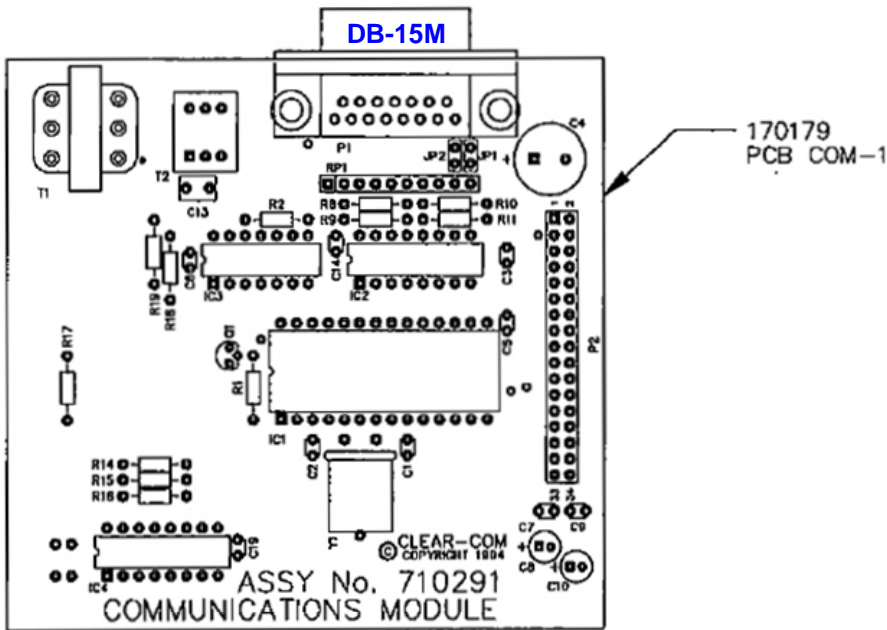


ICS-52/92 & ICS-62/102 Matrix +2 and +3 Com Card Versions

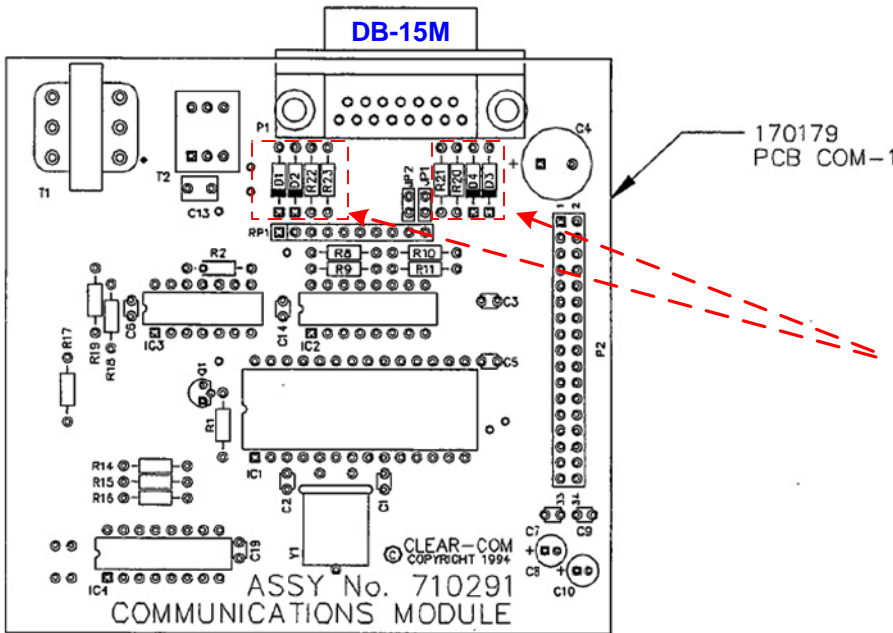


COM-1 Communications
Module Rev. A

COM-1 Rev A → This version of com card is not capable of a flash upgrade using the Matrix +3 firmware updater and associated frame. It was typically used on Matrix +2 version stations and early version Matrix +3 stations.

The only way to update the firmware on a station that is using this version communications card is by replacing the EPROM on the main board with another EPROM programmed with the appropriate firmware version (Matrix +3 or Eclipse format).

The EPROM is also capable of reprogramming via a standalone prom programmer and the correct Bin or Hex binary file. Use care and anti-static procedures if this procedure is attempted.

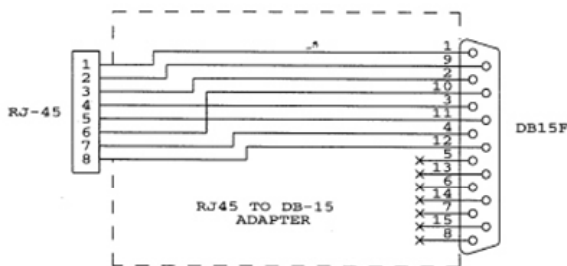


COM-1 Communications
Module Rev. D

COM-1 Rev D → This version of com card is capable of a flash upgrade using the Matrix +3 firmware updater. It was typically used on early generation Matrix +3 stations.

The card can be identified as frame flash upgradable by verifying the following components directly behind the DB-15M connector: D1, D2, D3 and D4, also R20, R21, R22 and R23. (See red arrows for location of parts)

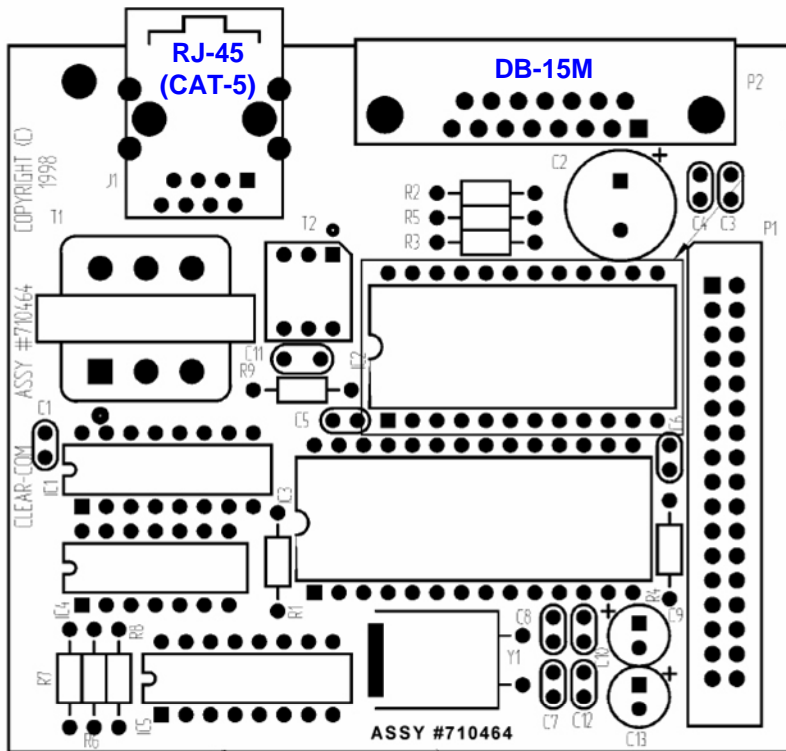
The EPROM is also capable of reprogramming via a standalone prom programmer and the correct Bin or Hex binary file. Use care and anti-static procedures if this procedure is attempted.



DB-15F to RJ45 adapter wiring for use with CAT-5 cable on Matrix +3 or Eclipse frame MVX port cards
CC part # 770019



ICS-52/92 & ICS-62/102 Matrix +2 and +3 Com Card Versions



COM-1A Communications
Module Rev. D

COM-1A Rev D → This current version of com card is capable of a flash upgrade using the Matrix +3 firmware updater via the RJ-45 or DB-15 connectors. It is typically used on current Matrix +3 analog ICS-92 stations allowing a station to connect to the frame via standard CAT-5 or CAT-6 cabling.

The card can be identified as a COM-1A by the RJ-45 connector and part # 710464. This com card only supports analog frame MVX port card use on M+3 or Eclipse format frames.

The EPROM is also capable of reprogramming via a standalone prom programmer and the correct Bin or Hex binary file. Use care and anti-static procedures if this procedure is attempted.

Notes on Upgrading older ICS-52/92s or ICS-62/102s with COM-1A com card

In order to upgrade a non-flash version M+3 ICS-92 / 102 series panel to work with Eclipse the Com-1 card will need to be replaced with the Com-1A version (p/n 710464).

In order to support the Com-1A with an RJ-45 connector the rear panel of the ICS-92 / 102 chassis would also need to be replaced with the current version rear panel that has the cut out for the RJ-45 (p/n 250875).

Note: If one is trying to upgrade a Matrix +2 version ICS-92 / 102 series station in addition to the changes suggested above the EPROM (IC 8) will also need to be replaced. The current Matrix +3 / Eclipse EPROM is a programmable IC 29C256 CMOS flash rom part number 480224.

Programmed IC 8 for analog ICS-52/92 Matrix +3 panel use: part # 710414

Programmed IC 8 for analog ICS-62/102 Matrix +3 panel use: part # 710416

Programmed IC 8 for analog ICS-52/92 Eclipse panel use: part # 710630

Programmed IC 8 for analog ICS-62/102 Eclipse panel use: part # 710631